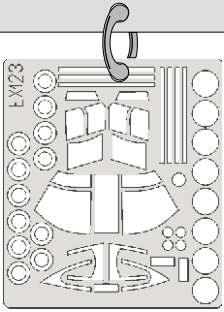


eduard
MASK

Kv-107 II Shirasagi 1/48

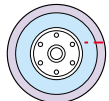
The die-cut mask for accurate canopy frame painting of the
Academy 1/48 KIT

EX 123

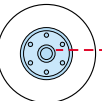


J6
3pcs.

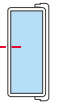
J5
8pcs.



B3
6pcs.



B3
6pcs.



F49
2pcs.

J4
4pcs.

LIQUID MASK 

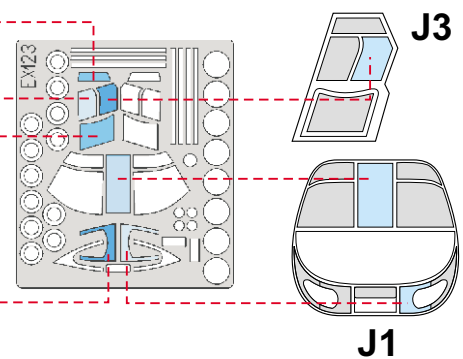
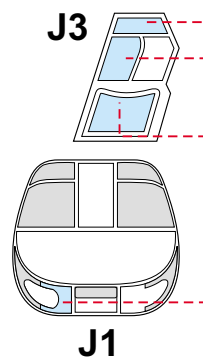
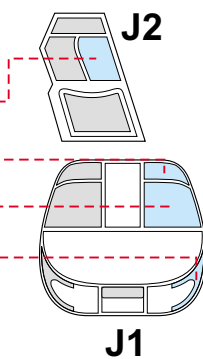
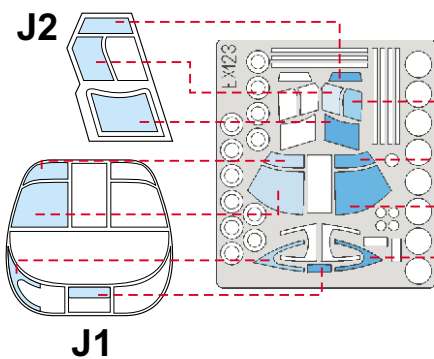


1.)

2.)

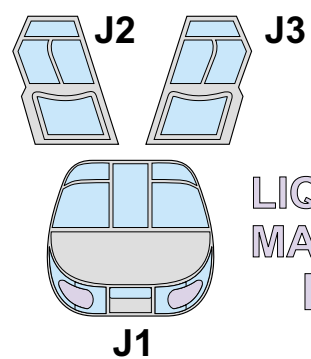
3.)

4.)



J8
1pcs.

J7
4pcs.



LIQUID MASK


5.)



INTERIOR COLOR

6.)



CAMOUFLAGE COLOR

7.)

REMOVE MASK

