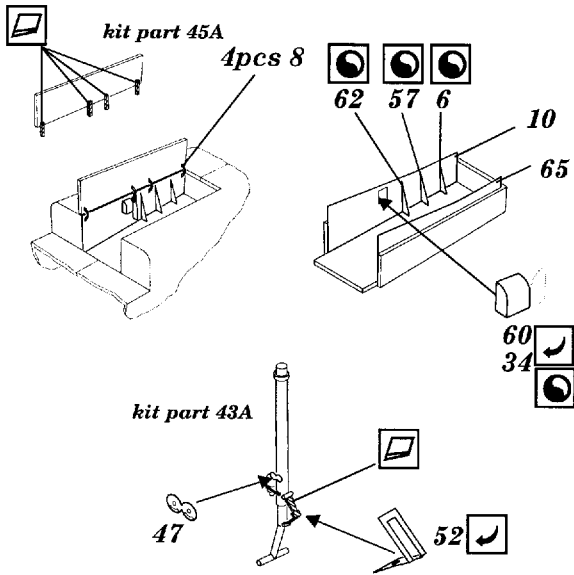
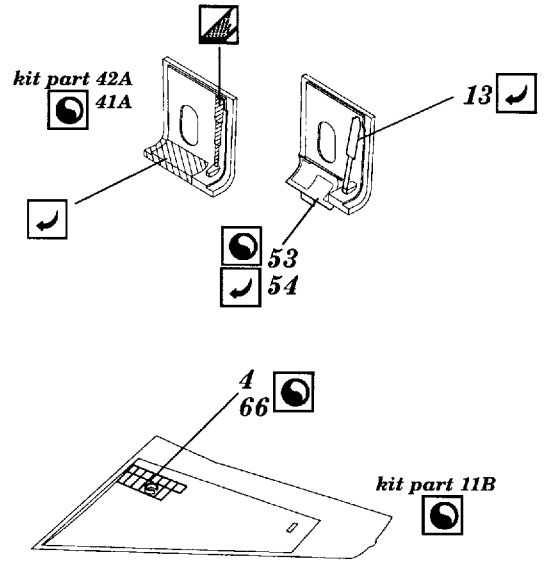


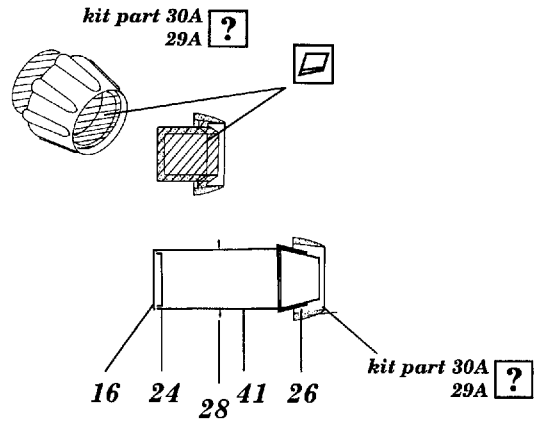
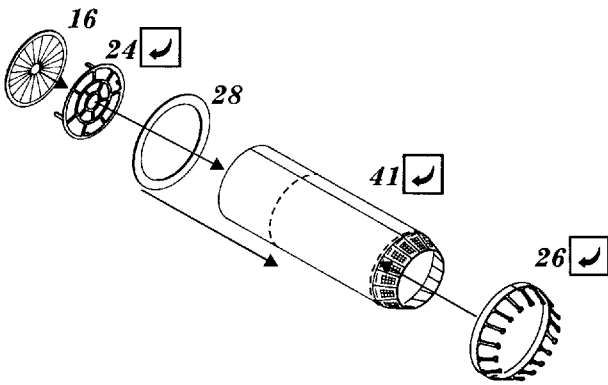
D NOSE UNDERCARRIAGE



E MAIN WHEEL WELL



F ENGINE



G EXTERNAL PARTS

