

eduard
LIMITED EDITION



Fokker D.VII (MÁG)

1/72

ATTENTION



UPOZORNĚNÍ



ACHTUNG



ATTENTION



注意



Carefully read instruction sheet before assembling. When you use glue or paint, do not use near open flame and use in well ventilated room. Keep out of reach of small children. Children must not be allowed to suck any part, or pull vinyl bag over the head.



Před započítím stavby si pečlivě prostudujte stavební návod. Při používání barev a lepidel pracujte v době větrané místnosti. Lepidla ani barvy nepoužívejte v blízkosti otevřeného ohně. Model není určen malým dětem, mohlo by dojít k požití drobných dílů.

INSTRUCTION SIGNS

* INSTR. SYMBOLY

* INSTRUKTION

* SINNBILDEN

* SYMBOLES

* 記号の説明

OPTIONAL
VOLBABEND
OHNOUTSAND
BROUSITOPEN HOLE
VYVRTAT OTVORSYMMETRICAL ASSEMBLY
SYMETRICKÁ MONTÁŽREMOVE
ODRŽNOUTREVERSE SIDE
OTOCITAPPLY EDUARD MASK
AND PAINT
POUŽIT EDUARD MASK
NABARVIT

PARTS



DÍLY



TEILE



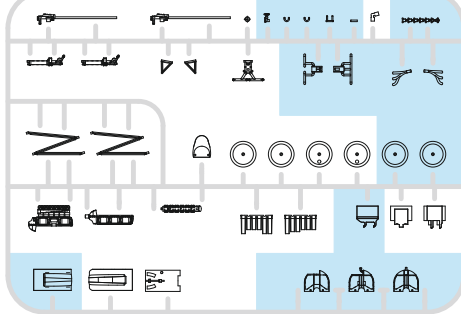
PIÈCES



部品

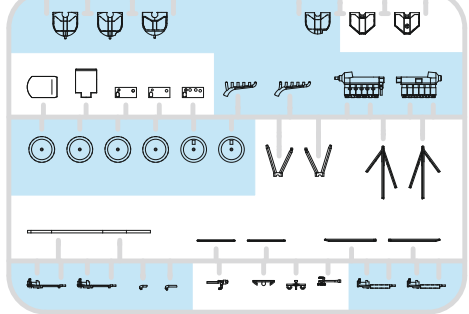
PLASTIC PARTS

A> 70130 A

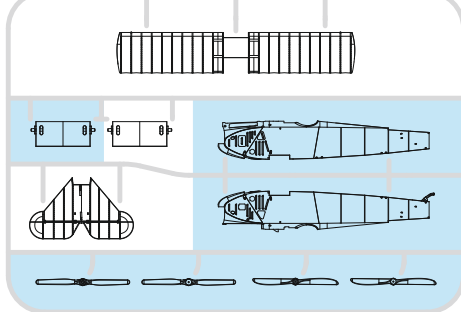


B>

70130 B

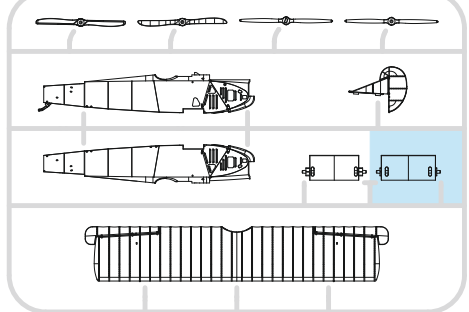


C> 70130 C

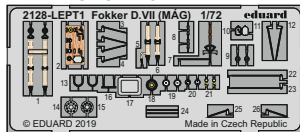


J>

70130 J



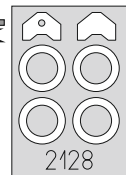
PE - PHOTO ETCHED DETAIL PARTS

eduard
BRASSIN

R1

eduard
MASK

FILM



2128

-Parts not for use. -Teile werden nicht verwendet. -Pièces à ne pas utiliser. -Tyto díly nepoužívejte při stavbě. - 使用しない部品

COLOURS



BARVY



FARBEN



PEINTURE



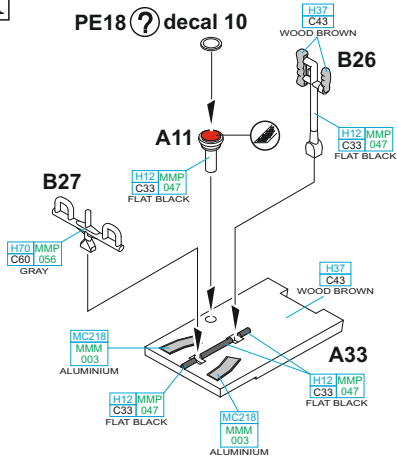
色

GSI Creos (GUNZE)		MISSION MODELS	
AQUEOUS	Mr.COLOR	PAINTS	
H2	C2	[MMP-047]	BLACK
H8	C8		SILVER
H11	C62	[MMP-001]	FLAT WHITE
H12	C33	[MMP-047]	FLAT BLACK
H27	C44		TAN
H37	C43		WOOD BROWN
H47	C41	[MMP-012]	RED BROWN
H51	C11	[MMP-063]	LIGHT GULL GRAY
H70	C60	[MMP-056]	GRAY

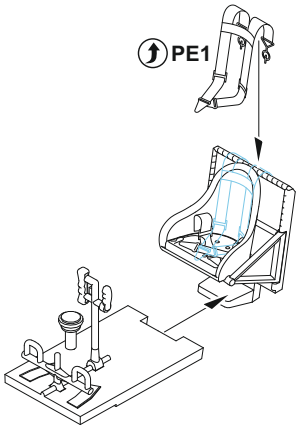
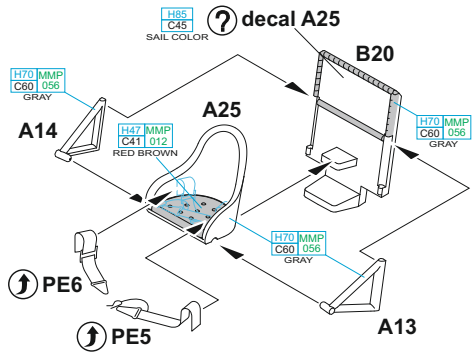
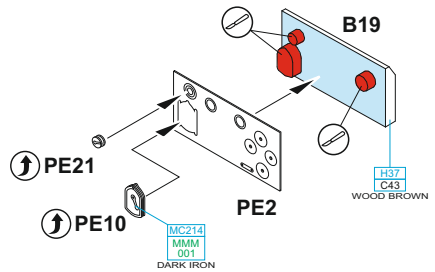
GSI Creos (GUNZE)		MISSION MODELS	
AQUEOUS	Mr.COLOR	PAINTS	
H73	C23		DARK GREEN
H85	C45		SAIL COLOR
H324	C324	[MMP-116]	LIGHT GRAY
Mr.METAL COLOR		METALLICS	
MC213		[MMM-006]	STEEL
MC214		[MMM-001]	DARK IRON
MC218		[MMM-003]	ALUMINIUM
MC219		[MMM-009]	BRASS

A

PE18 ? decal 10

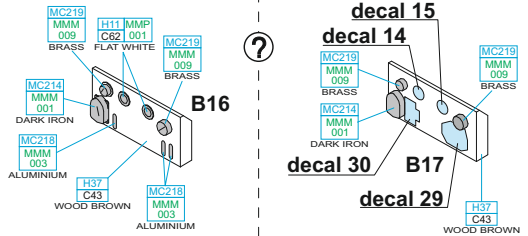
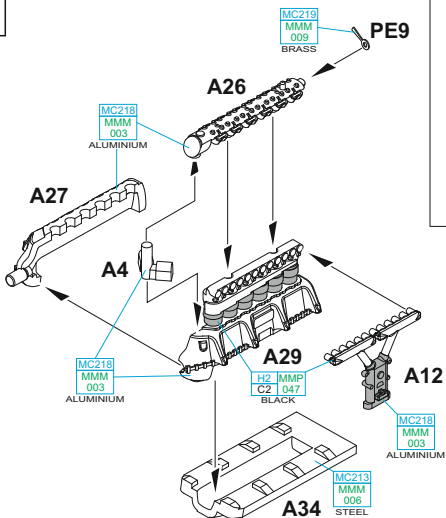
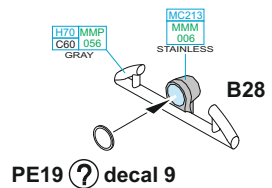


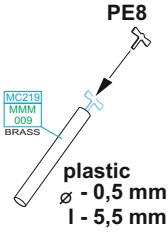
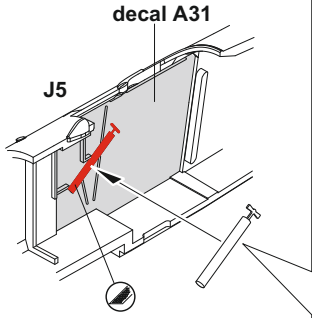
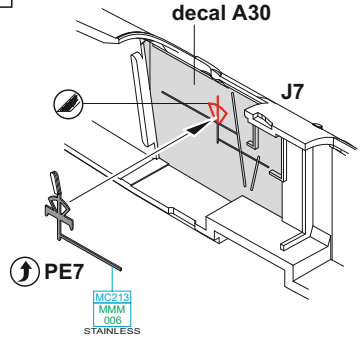
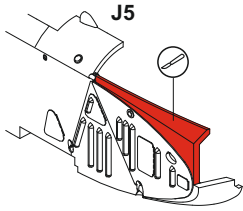
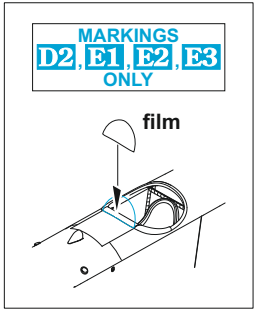
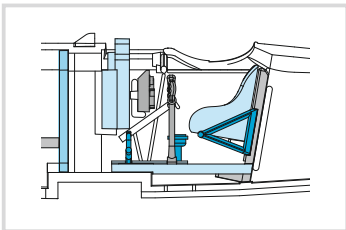
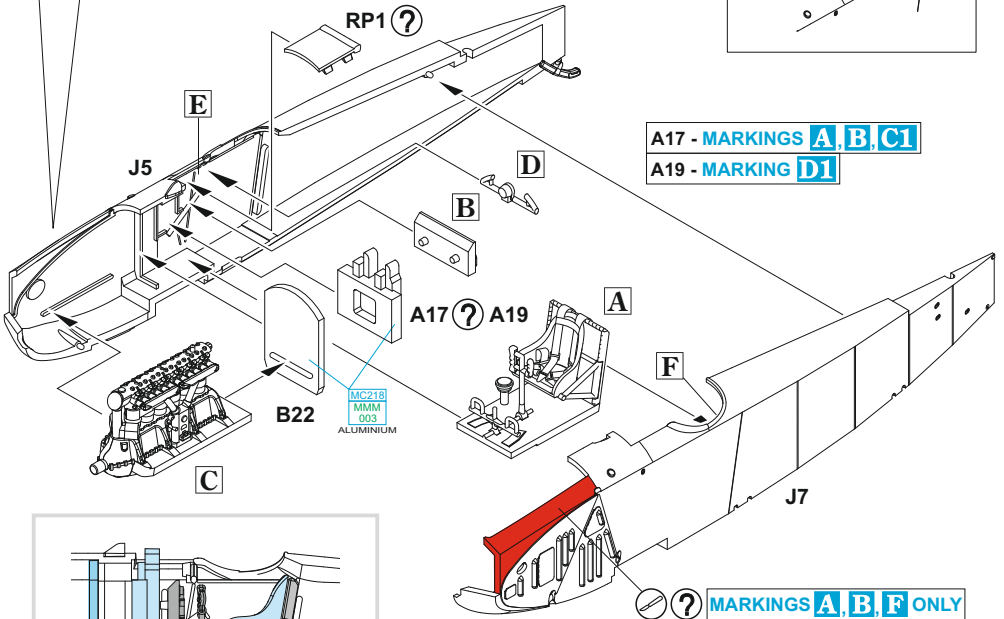
↑ PE1

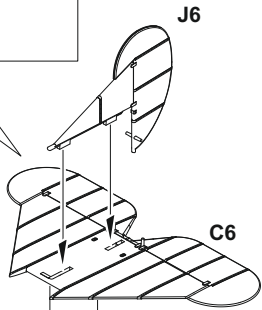
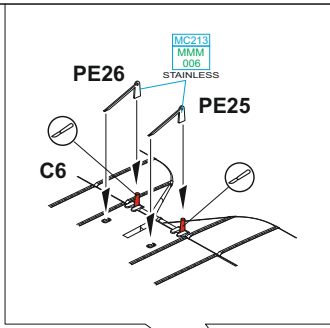
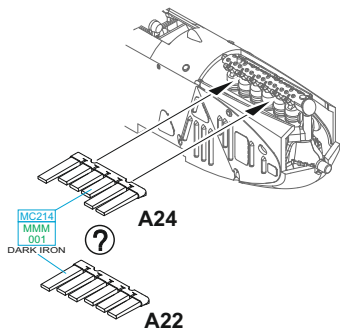
H85 C45 ? decal A25
SAIL COLOR**B**

?

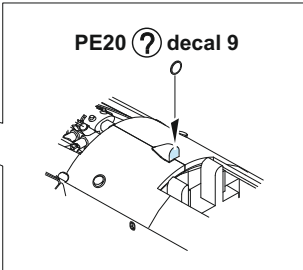
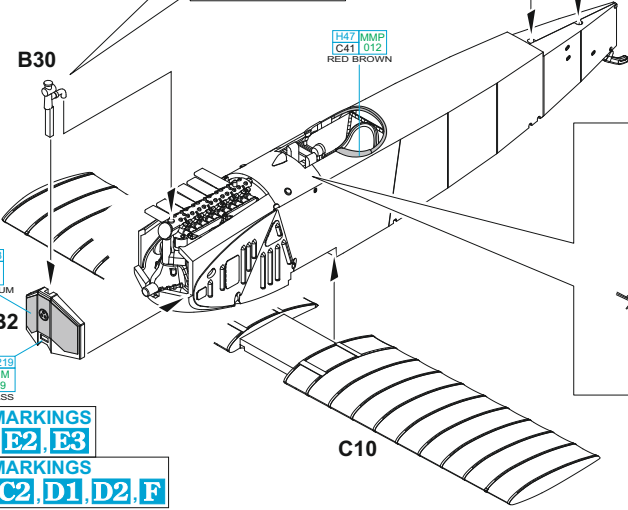
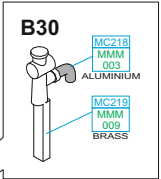
?

**C****D**

E**F****MARKINGS A, B, F ONLY****RP1 - MARKINGS C2, D2, E1, E2, E3, F ONLY****A17 - MARKINGS A, B, C1****A19 - MARKING D1**

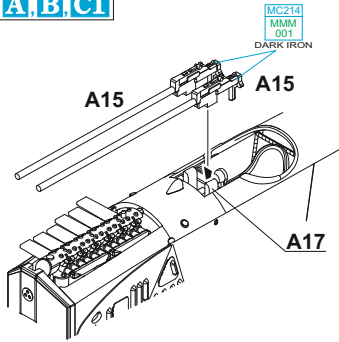


A22 - MARKINGS
A, B, C1, C2, D1, E3, F
A24 - MARKINGS
D2, E1, E2

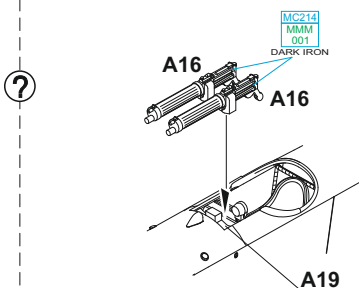


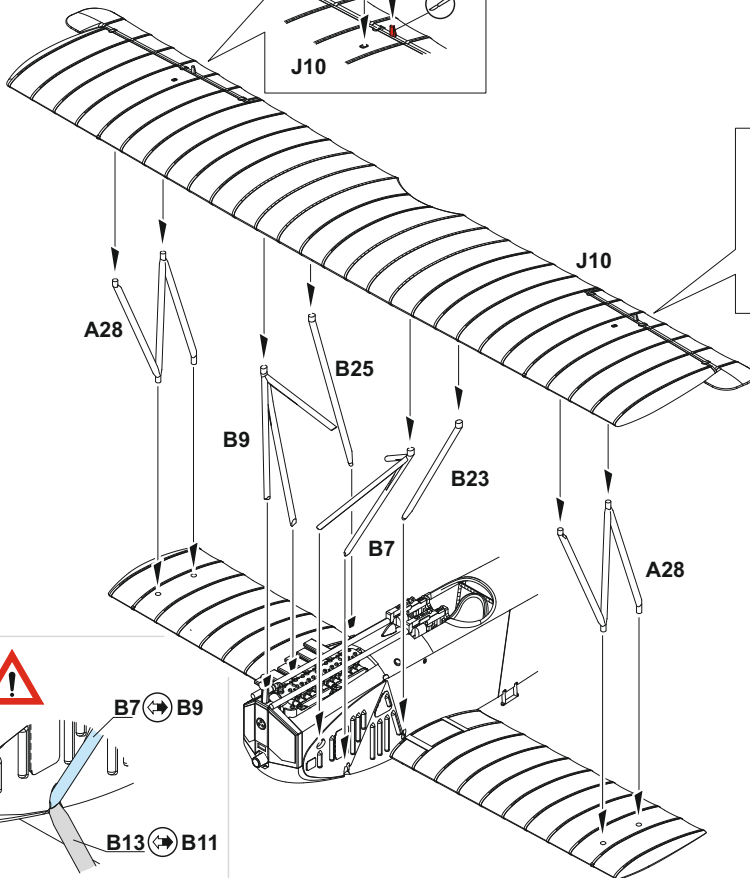
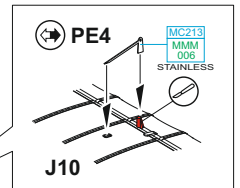
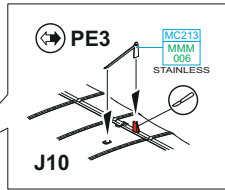
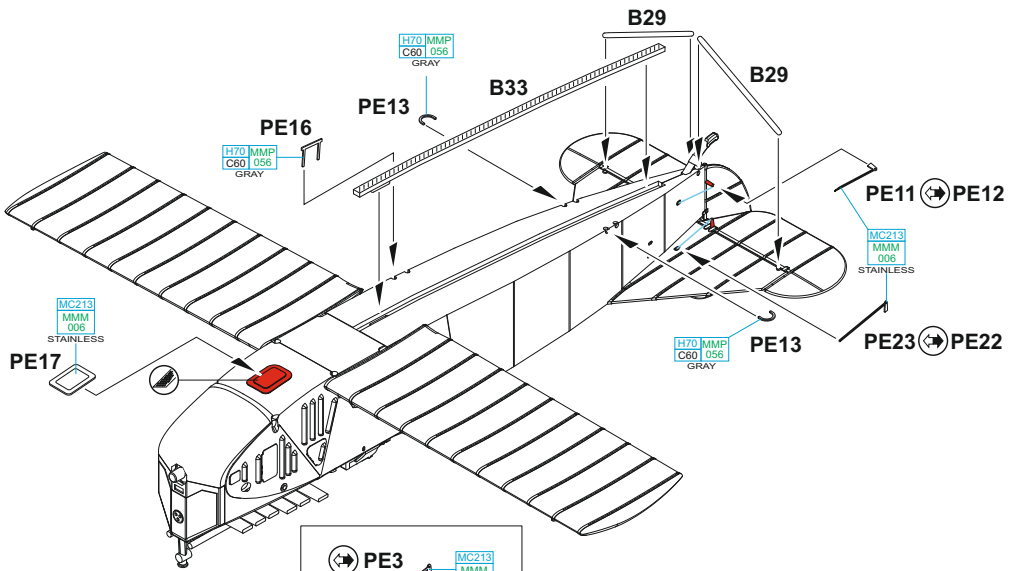
B1 - MARKINGS
E1, E2, E3
B2 - MARKINGS
A, B, C1, C2, D1, D2, F

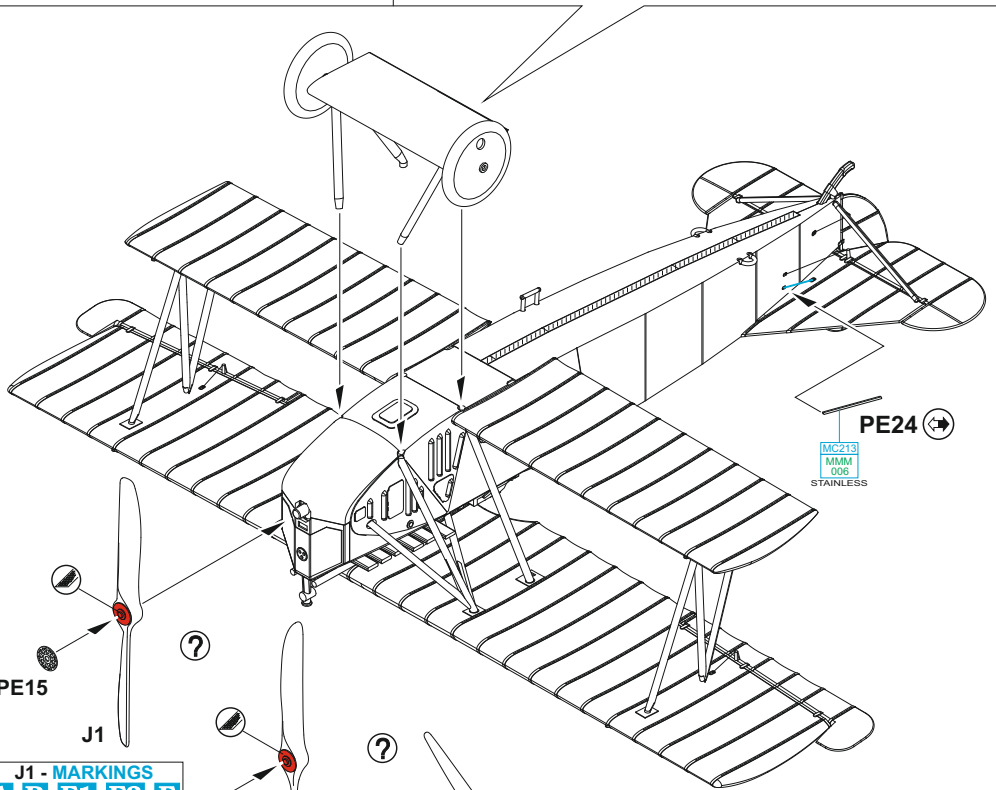
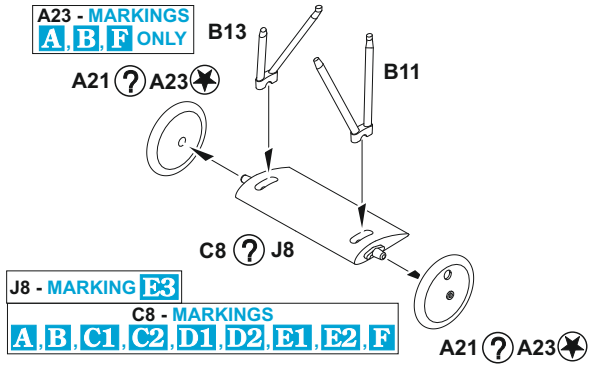
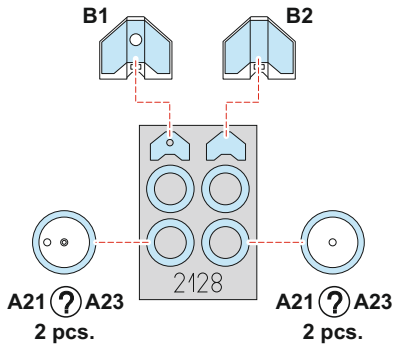
MARKINGS A, B, C1



MARKING D1



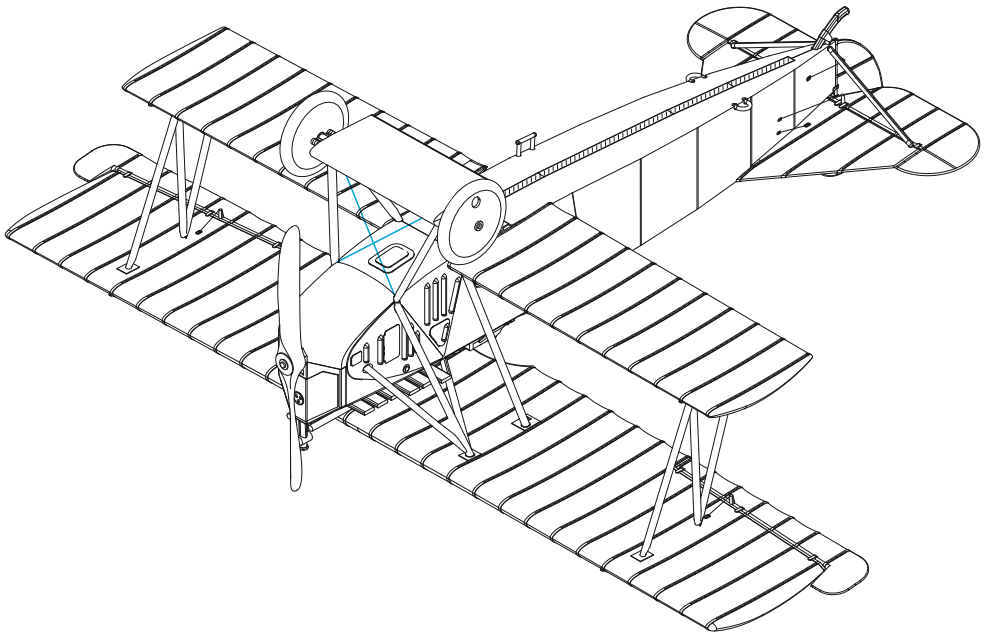
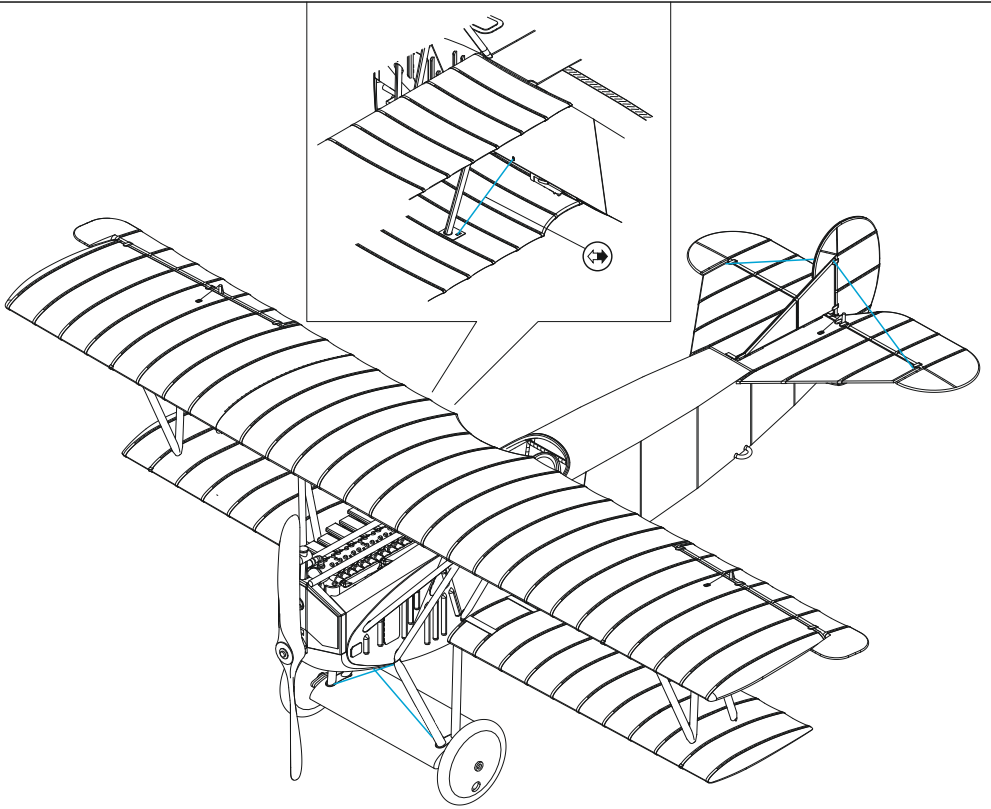


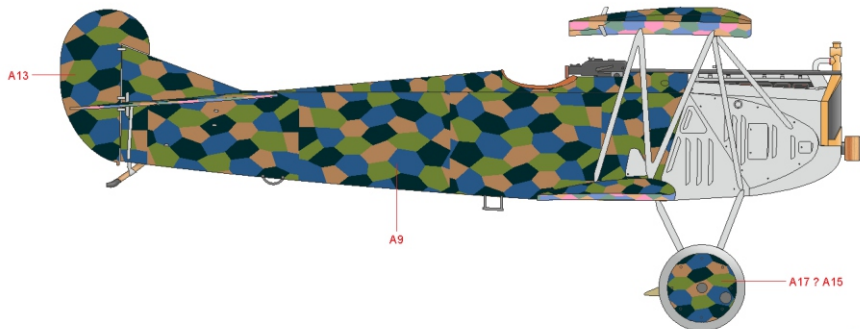
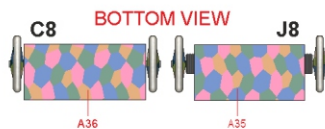
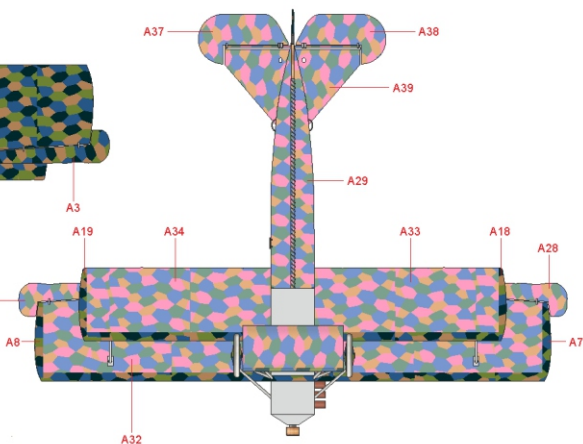
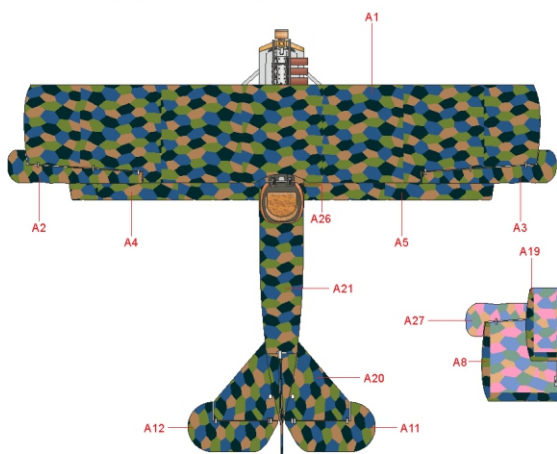
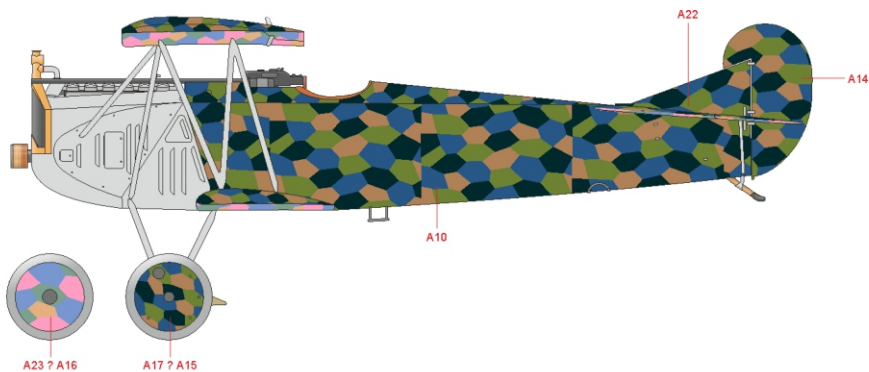


J1 - MARKINGS
A, B, E1, E2, F

J2 - MARKINGS
C1, D1, D2

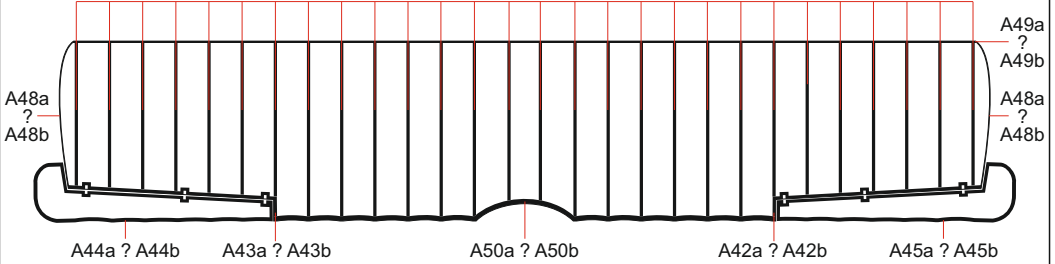
J3, J4 - MARKINGS
C2, E3





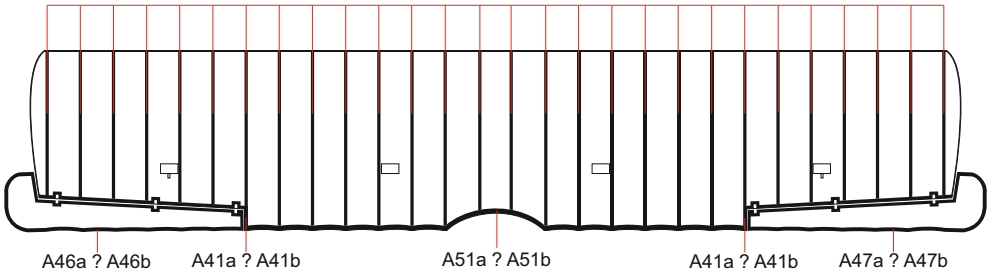
TOP

A57a ? A57b



BOTTOM

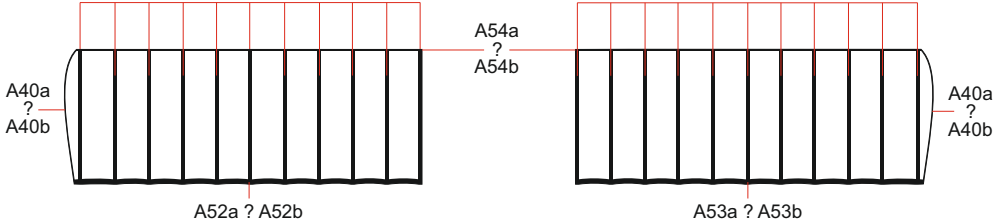
A57a ? A57b



TOP

A58a ? A58b

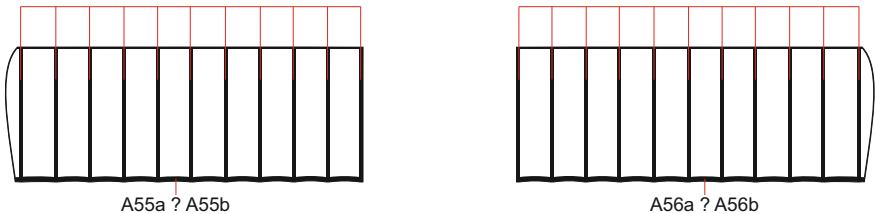
A58a ? A58b



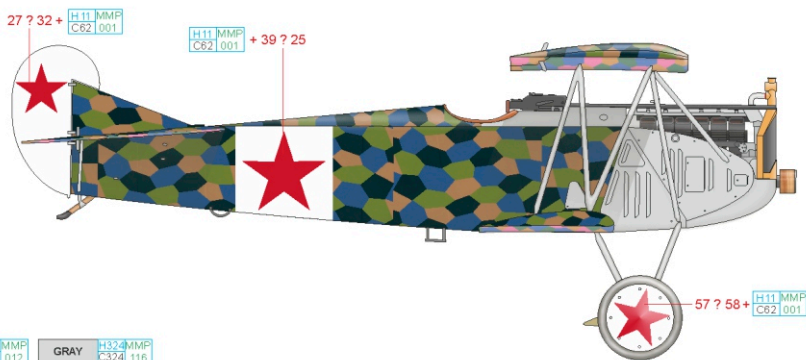
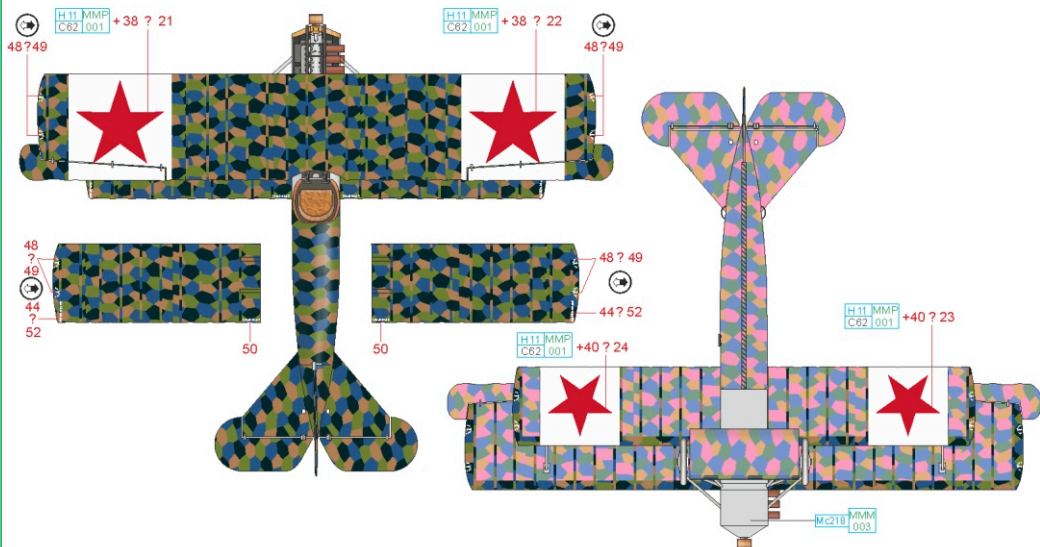
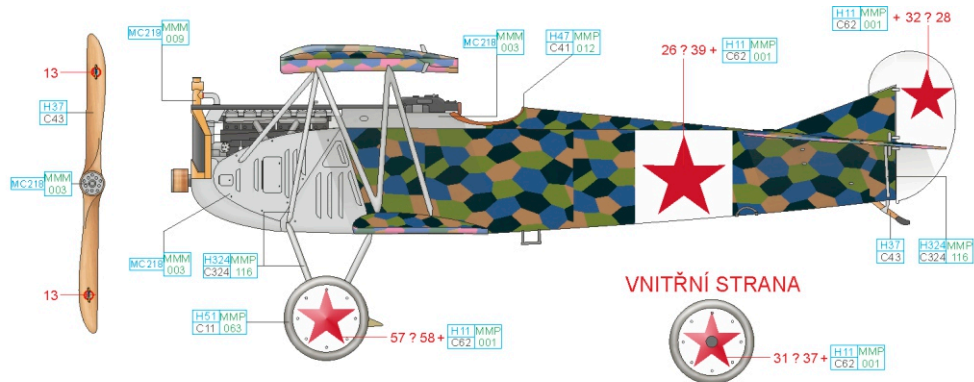
BOTTOM

A58a ? A58b

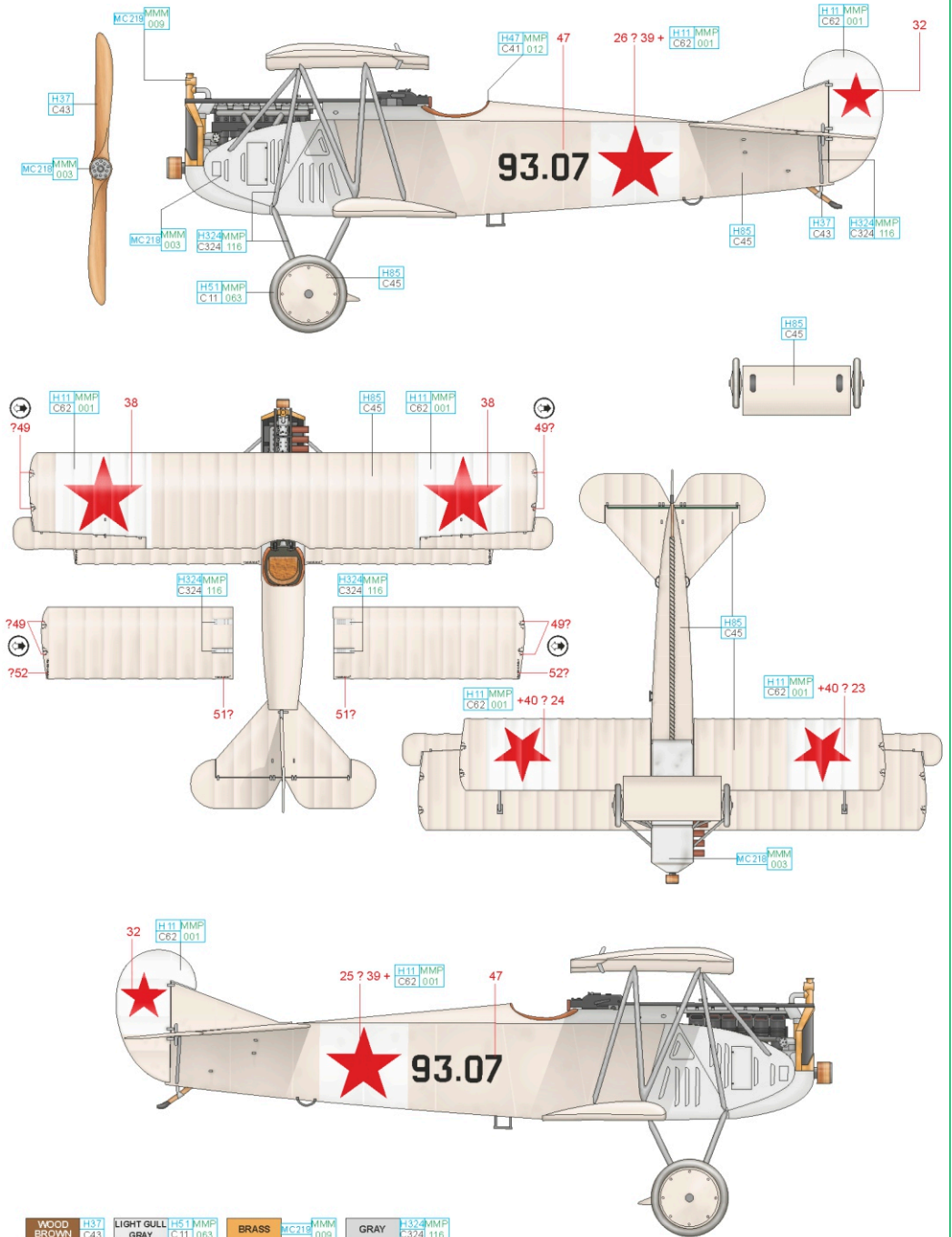
A58a ? A58b



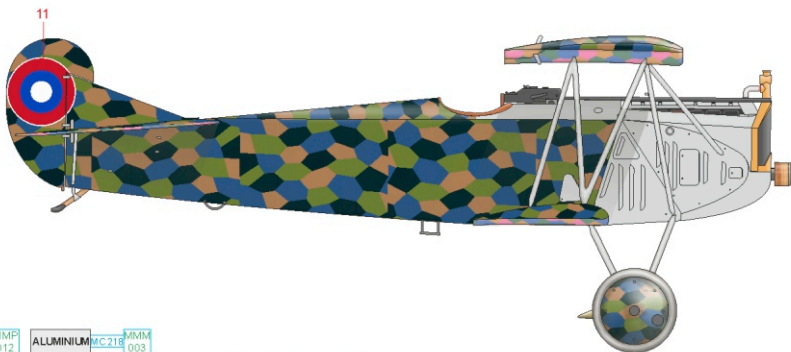
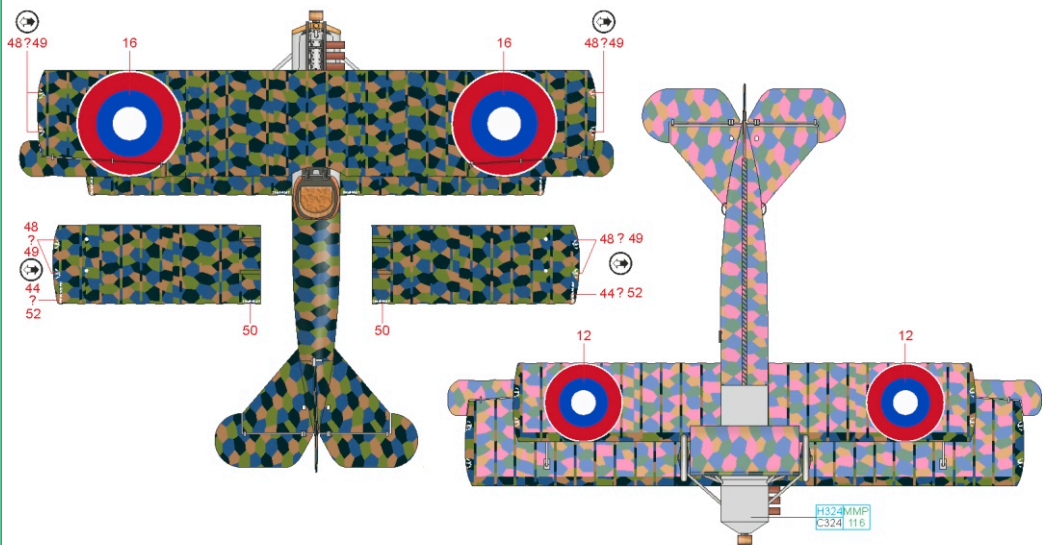
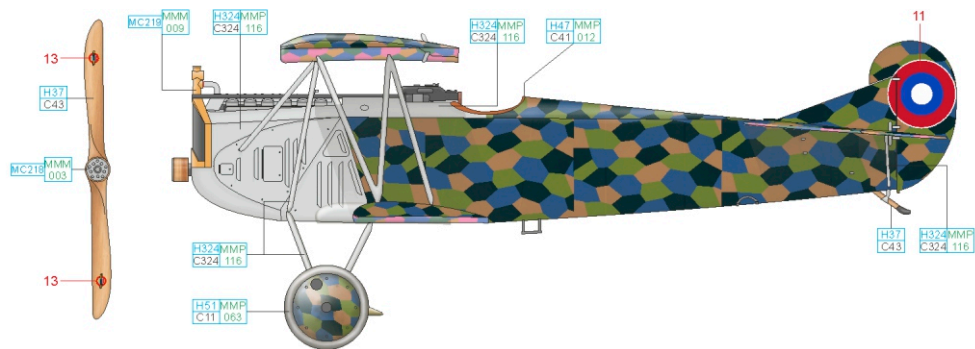
A 8. Vörös Repülőszázad, Maďarské letectvo, Maďarská republika rad, 1919



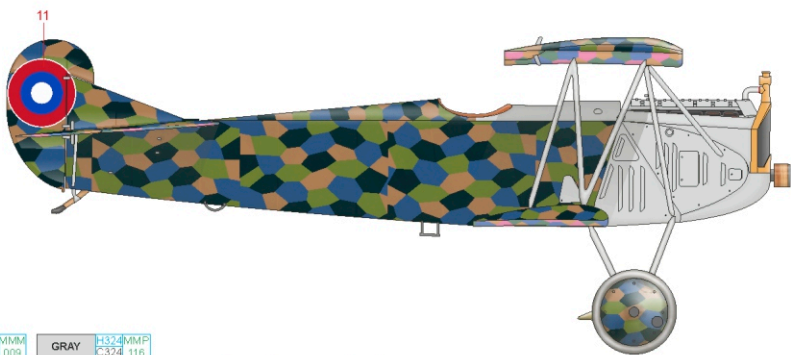
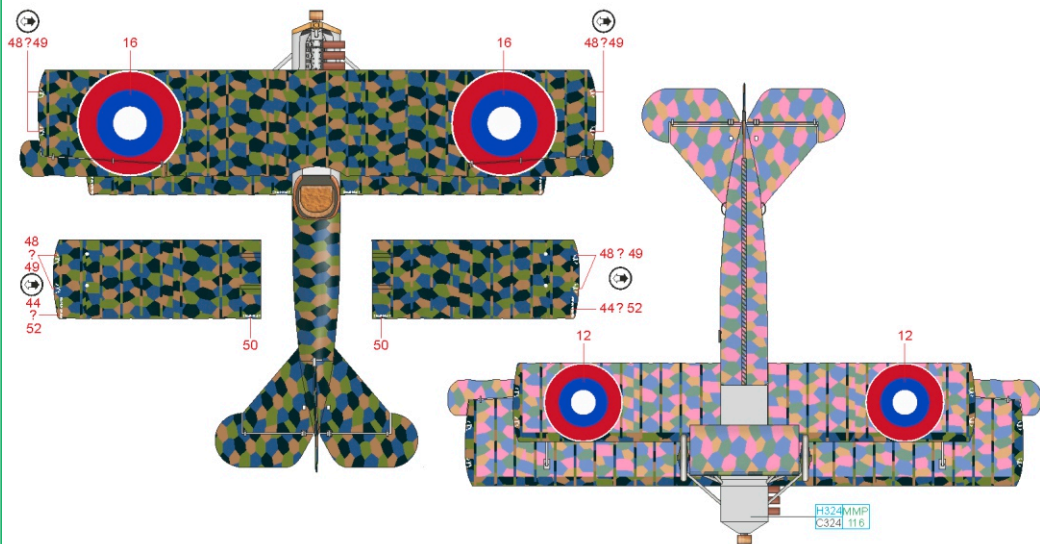
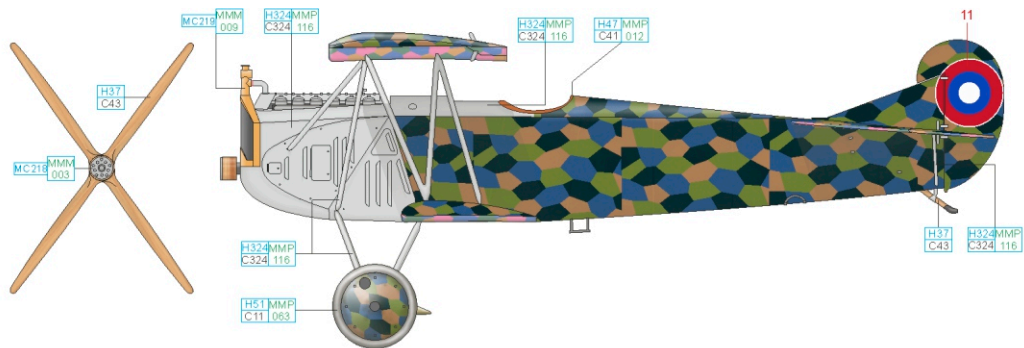
RED BROWN	H47 MMP C41 012	GRAY	H324 MMP C324 116
WHITE	H11 MMP C62 001	ALUMINIUM	MC21B MMM 003
		BRASS	MC21B MMM 009
		LIGHT GULL GRAY	H51 MMP C11 063
		WOOD BROWN	H37 C43



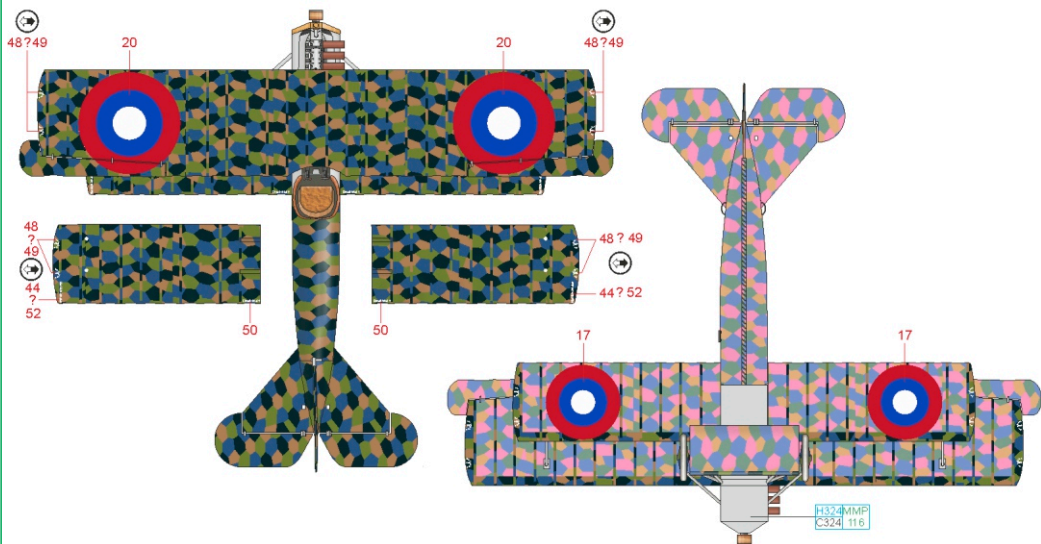
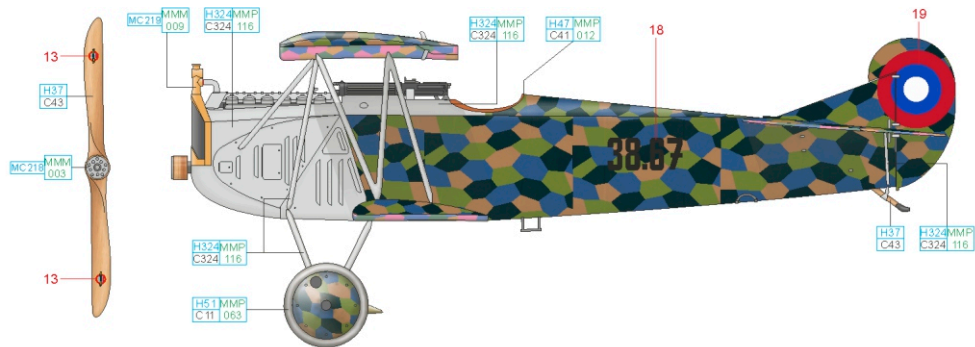
WOOD BROWN	H37 C43	LIGHT GULL GRAY	H51 MMP C11 063	BRASS	MC218 MMM 009	GRAY	H32 MMP C324 116
SAIL COLOR	H85 C45	WHITE	H11 MMP C62 001	ALUMINIUM	MC218 MMM 003	RED BROWN	H47 MMP C41 012



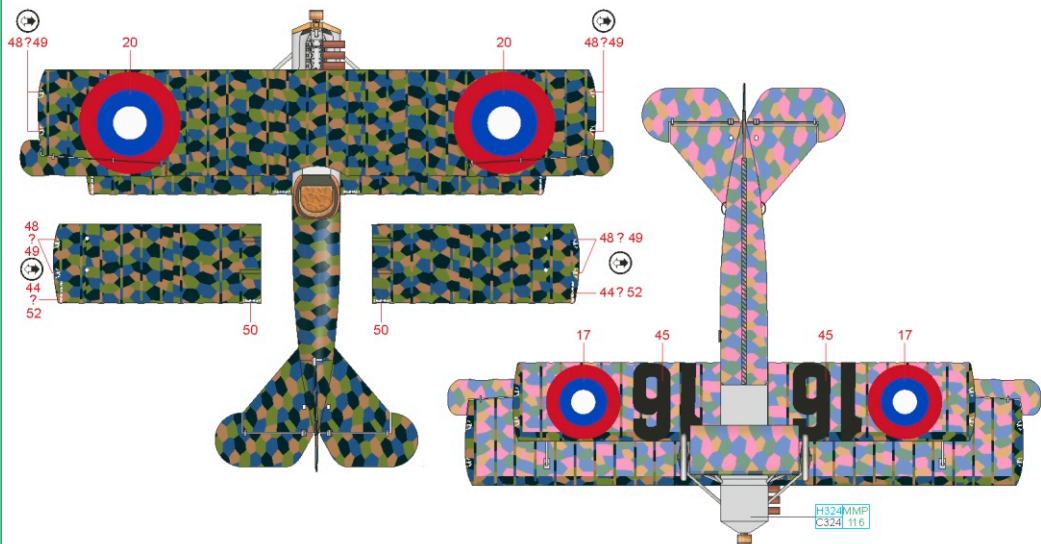
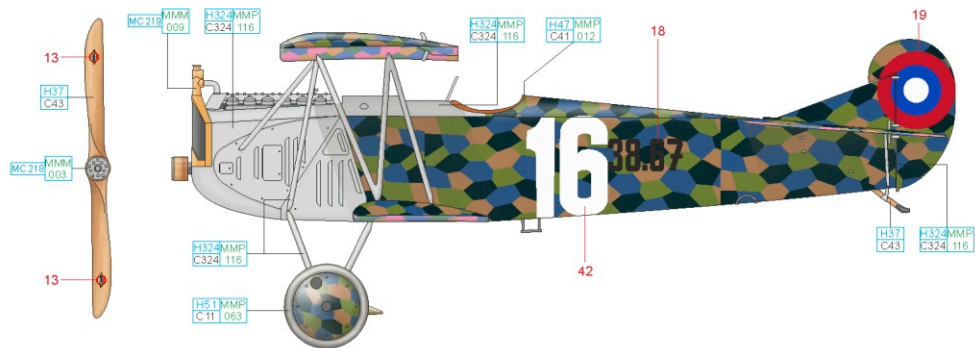
RED	H47 MMP C41 012	ALUMINIUM	MC21B MMP 009
BROWN	H47 MMP C41 012	GRAY	H32 MMP C324 116
		BRASS	MC21B MMP 009
		LIGHT GULL GRAY	H51 MMP C11 063
		WOOD BROWN	H37 C43



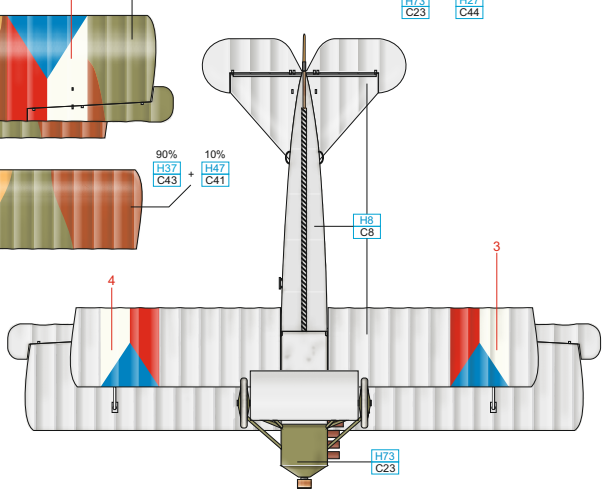
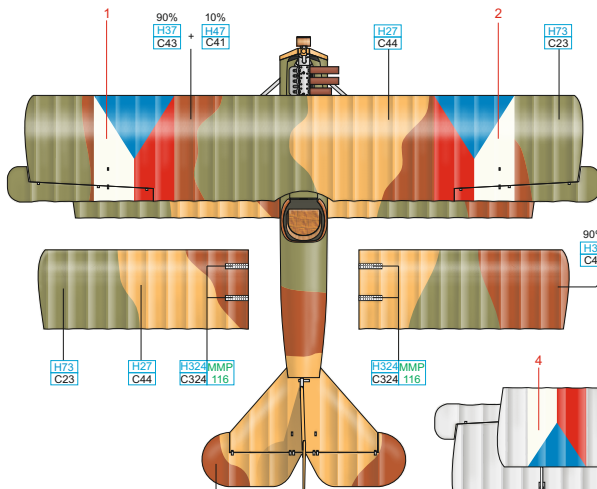
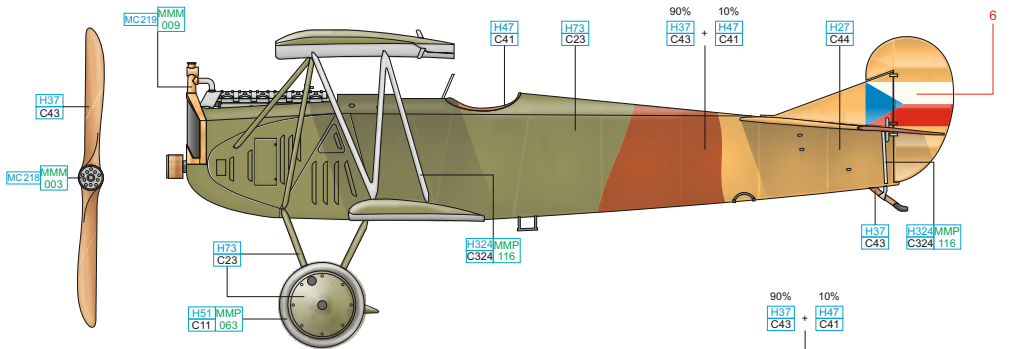
BRASS	MC218	MMM 009	GRAY	H324 MMP C324 116
ALUMINIUM	MC218	MMM 003	RED BROWN	H47 MMP C41 012
			LIGHT GULL	H51 MMP C11 063
			GRAY	H31 C43
			WOOD BROWN	H37 C43



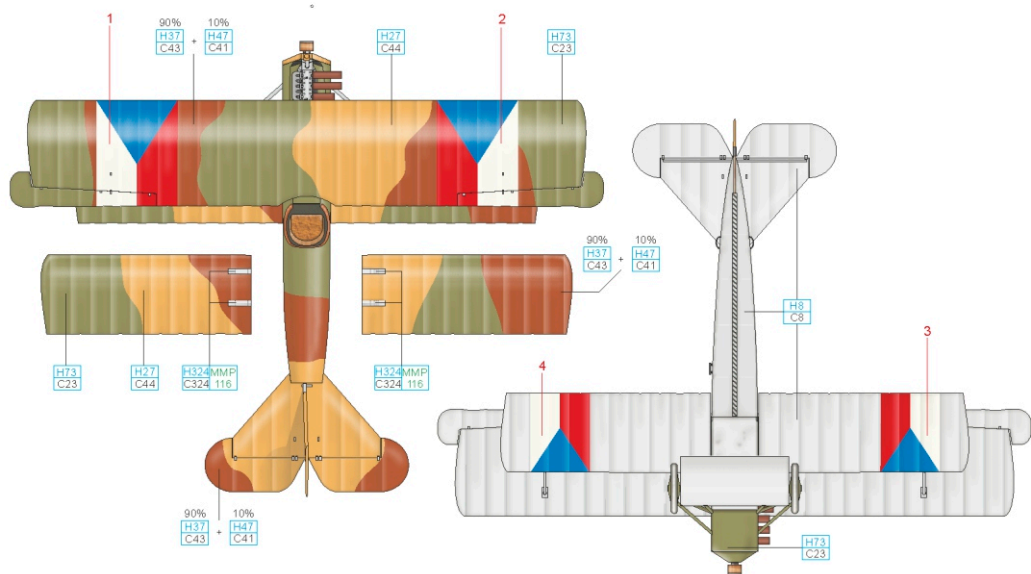
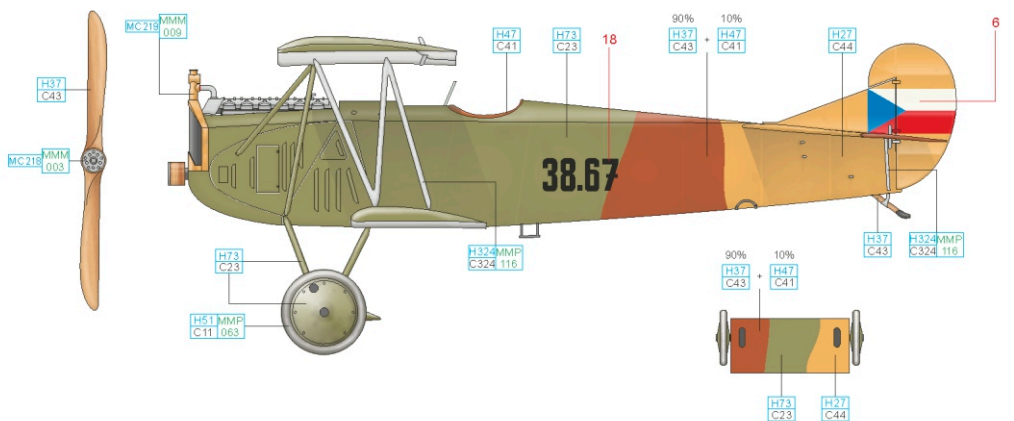
BRASS	MC21B	MMM 009								
ALUMINUM	MC21B	MMM 003	LIGHT GULL GRAY	H51 MMP C11 063	GRAY	H32 MMP C324 116	RED BROWN	H47 MMP C41 012	WOOD BROWN	H37 C43



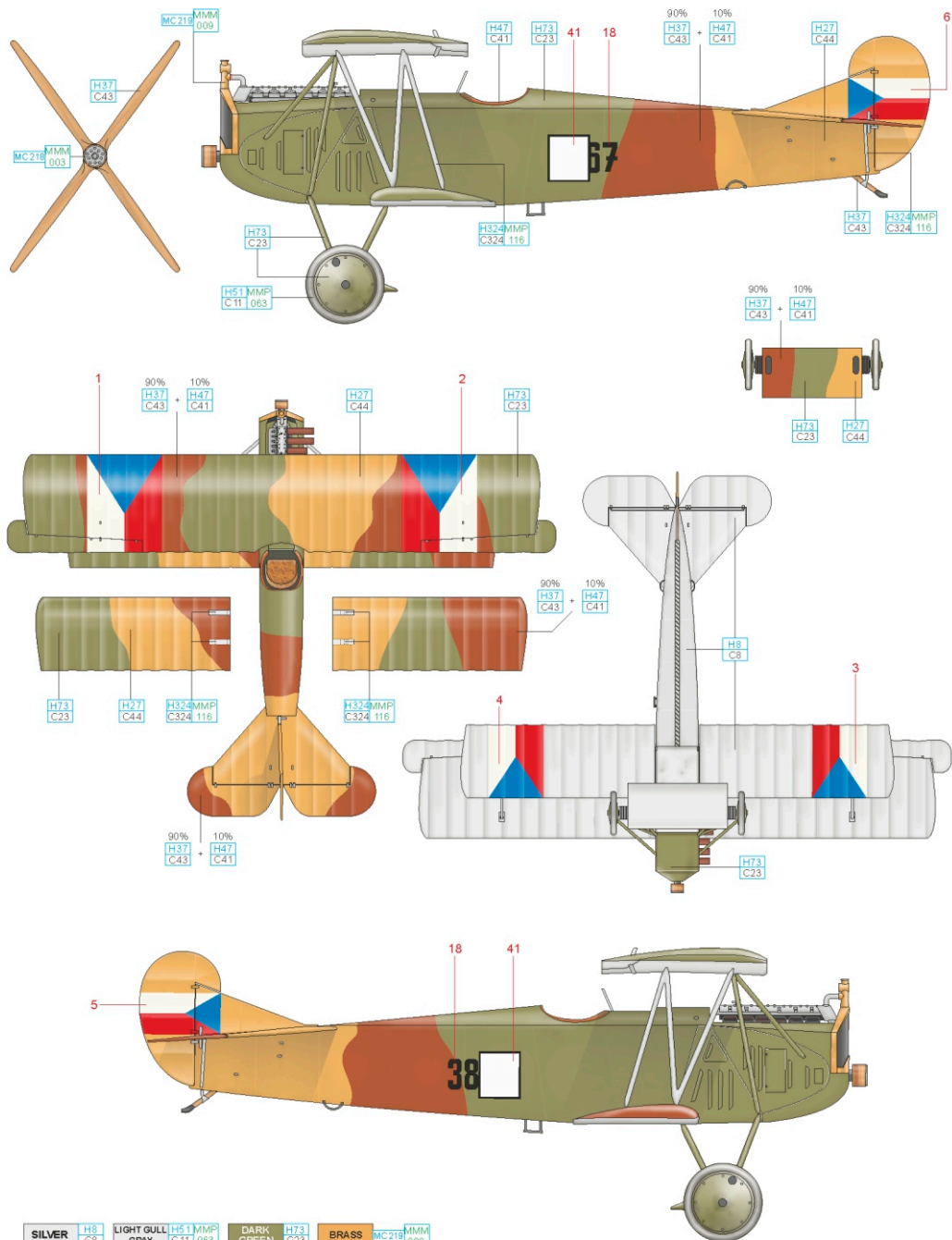
BRASS	MC218	MMM 009
ALUMINIUM	MC218	MMM 003
LIGHT GULL GRAY	H51 MMP C11 063	GRAY
	H32 MMP C324 116	RED BROWN
	H47 MMP C41 012	WOOD BROWN
	H37 C43	



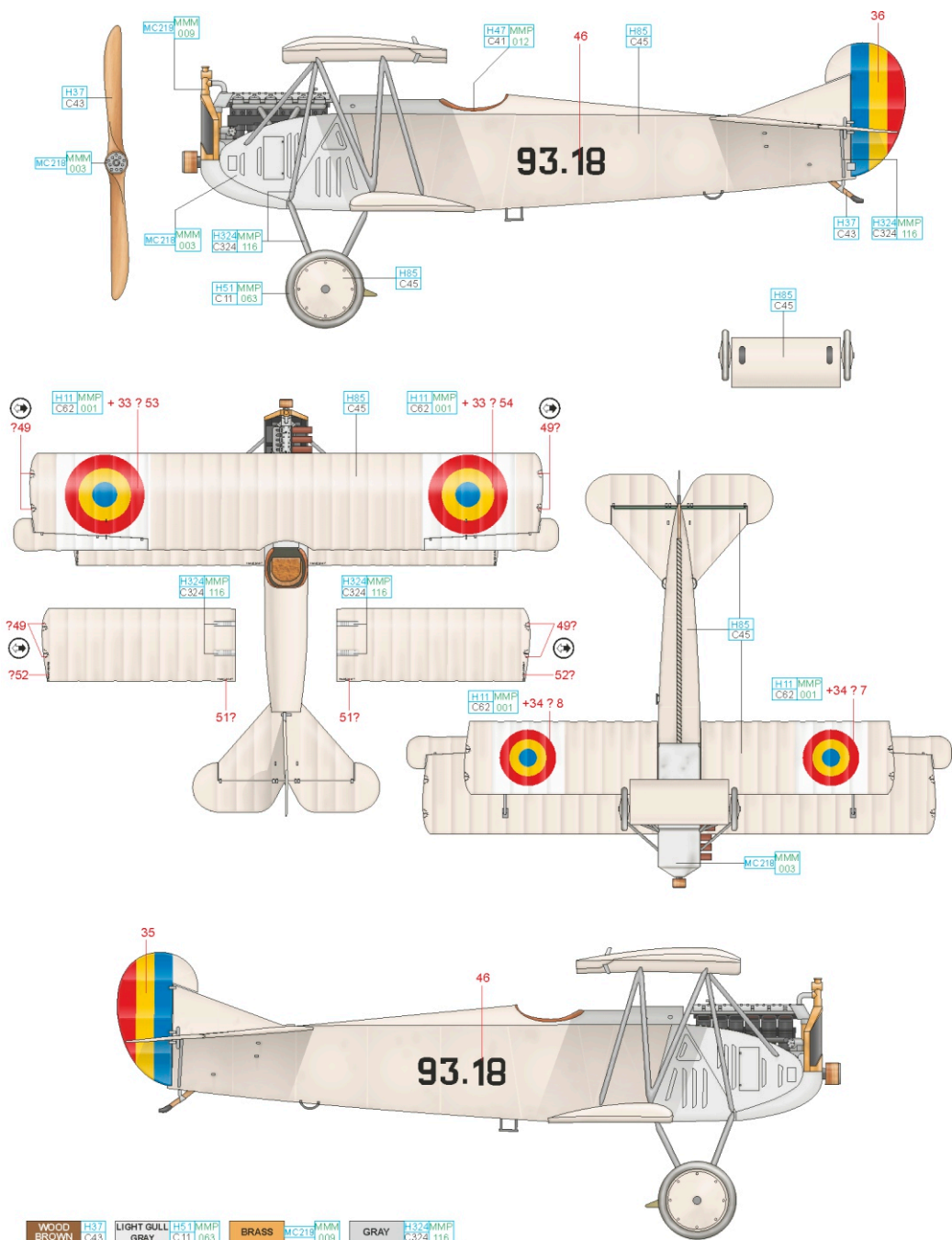
SILVER	H8 C8	LIGHT GULL GRAY	H51 MMP C11 063	DARK GREEN	H73 C23	BRASS	MC219 MMM 009
TAN	H27 C44	LIGHT GRAY	H324 MMP C324 116	RED BROWN	H47 C41	ALUMINIUM	MC218 MMM 003
						WOOD BROWN	H37 C43



SILVER	H3 C8	LIGHT GULL GRAY	H51 MMP C11 063	DARK GREEN	H73 C23	BRASS	MC218 MMM 009
TAN	H27 C44	LIGHT GRAY	H324 MMP C324 116	RED BROWN	H47 C41	ALUMINUM	MC218 MMM 003
							WOOD BROWN
							H37 C43



SILVER	H8 C8	LIGHT GULL GRAY	H51 MMP C11 083	DARK GREEN	H73 C23	BRASS	MC218 MMM 009
TAN	H27 C44	LIGHT GRAY	H324 MMP C324 116	RED BROWN	H47 C41	ALUMINUM	MC218 MMM 003
						WOOD BROWN	H37 C43



WOOD BROWN	H37 C43	LIGHT GULL GRAY	H51 MMP C11 063	BRASS	MC218 MMM 009	GRAY	H32 MMP C324 116
SAIL COLOR	H85 C45	WHITE	H11 MMP C62 001	ALUMINIUM	MC218 MMM 003	RED BROWN	H47 MMP C41 012