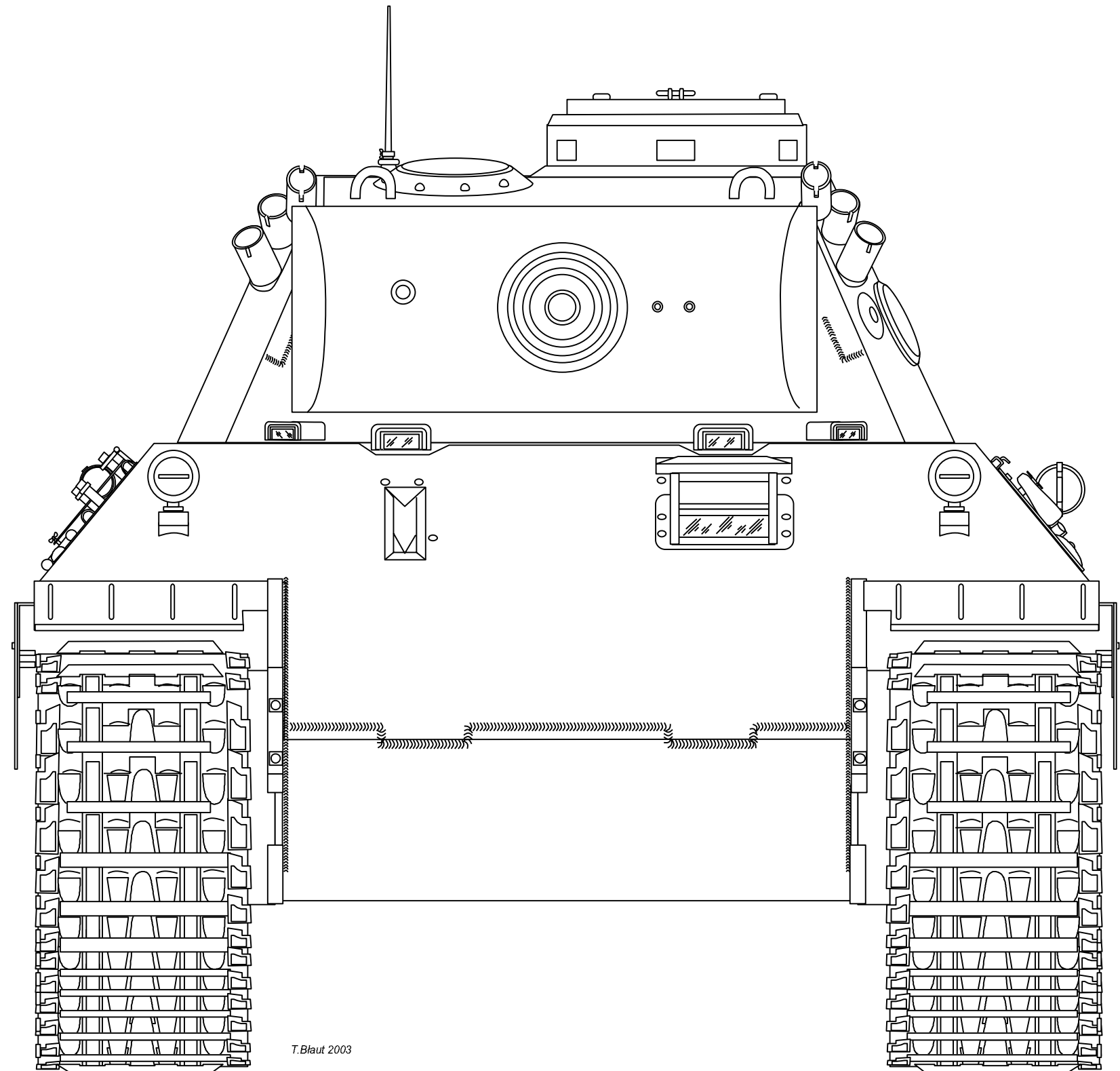


35 K02

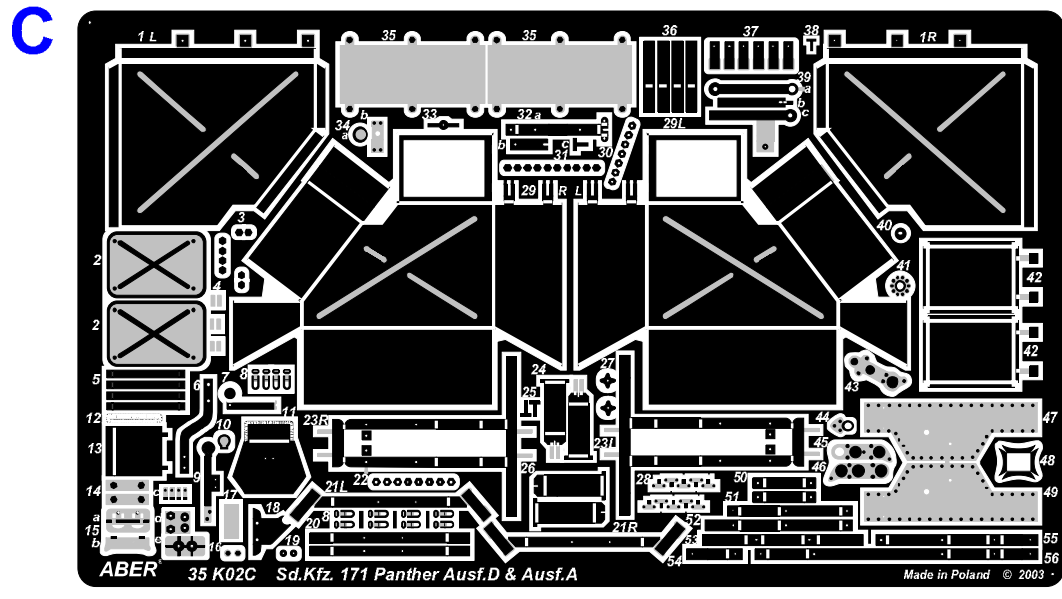
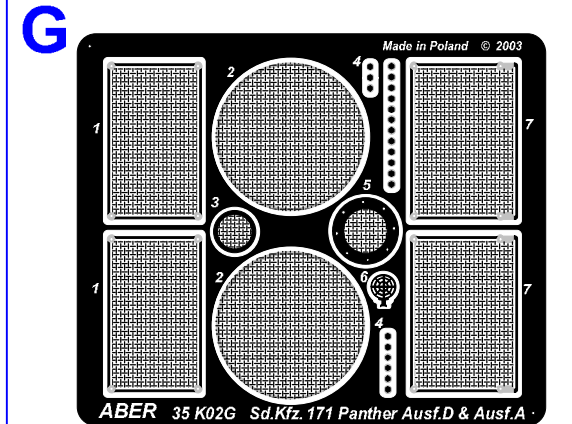
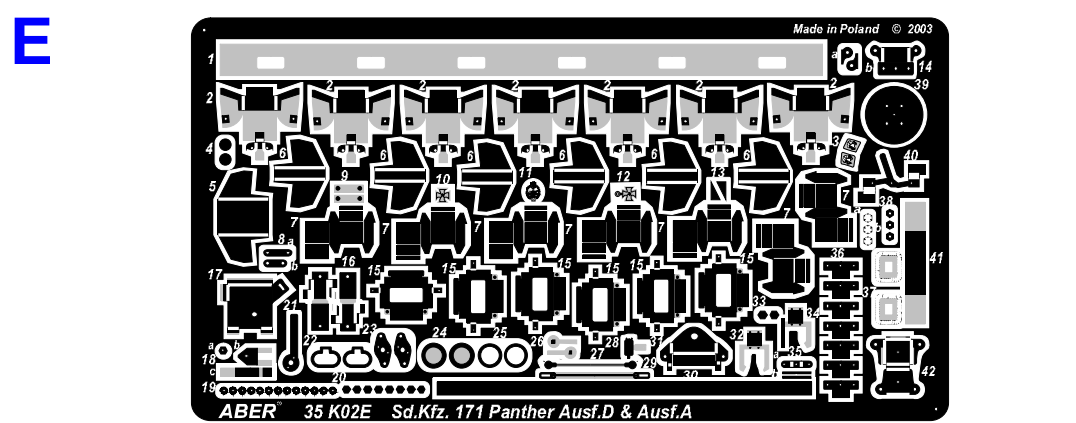
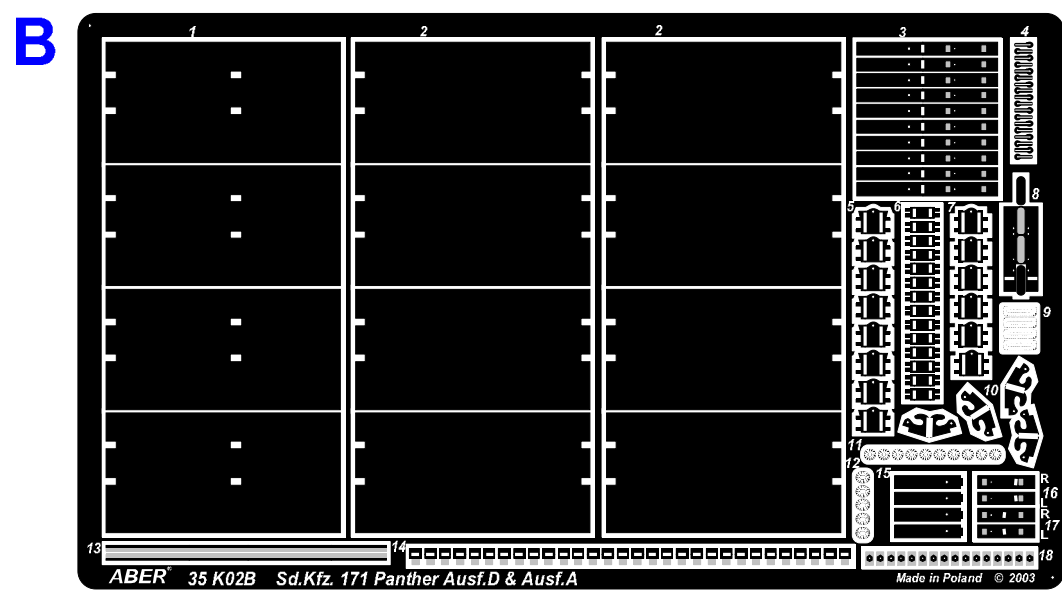
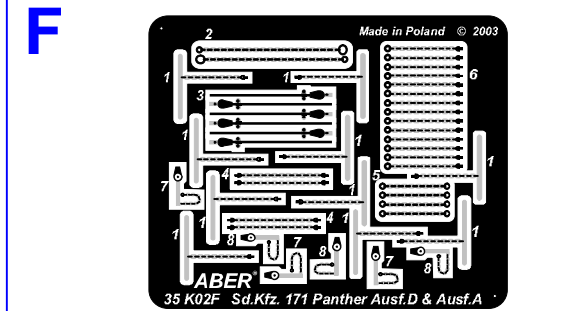
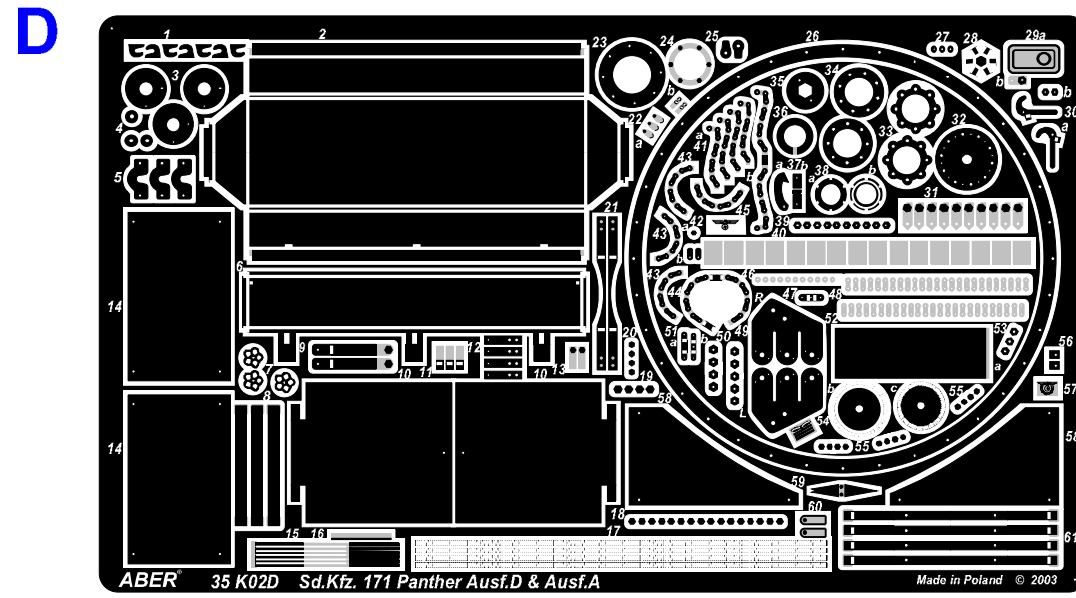
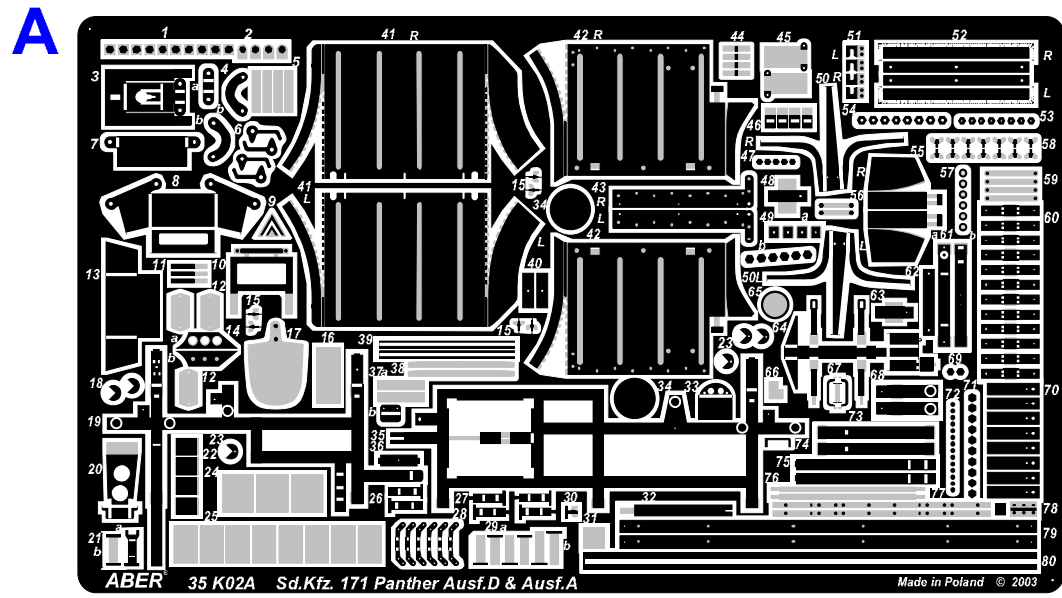


EXCLUSIVE EDITION

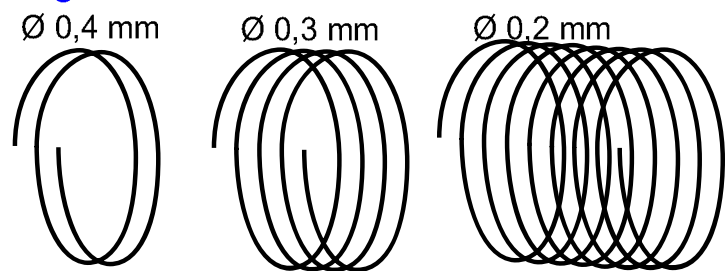
UPGRADE SET FOR DRAGON 1/35 MODEL



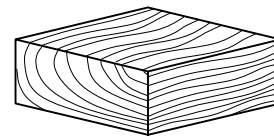
Pz.Kpfw. V, Panther, (Sd.Kfz. 181) - Ausf.D or A



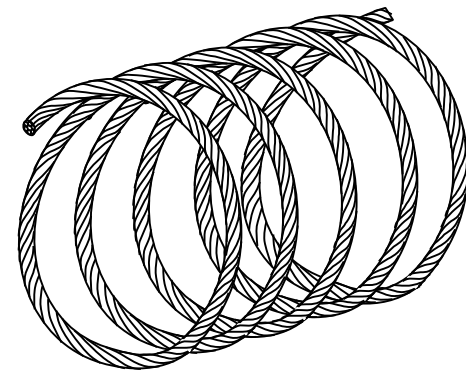
Bag with wires



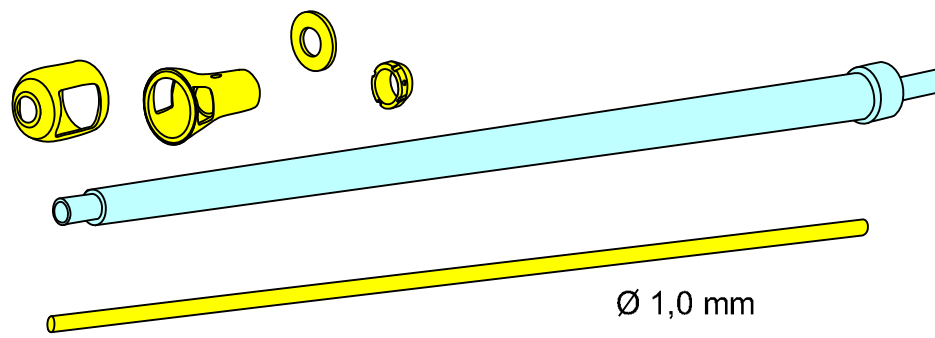
Bag with wood chock



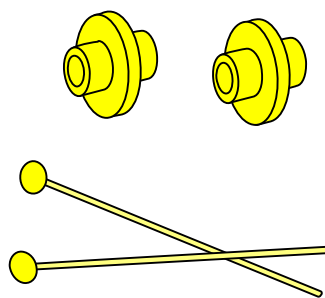
Bag with cables



Bag with ABER barrel, tubes and rods



Turned parts



MOST IMPORTANT BIBLIGRAPHY:

- 1) PANTHER vol.3,4,5 - Waldemar Trojca - "Tank Power" AJ-Press ©1999
- 2) Achtung Panzer No.4 - PANTHER, Jagdpanther & Brummbär by Mitsuru Bitoh - Dai Nippon Kaiga Co.,Ltd. ©1994
- 3) GROUND POWER No.024, 079 - Delta Publishing Co.,Ltd. ©1996, ©2000
- 4) Militärfahrzeuge Band 9; Der Panzer-Kampfwagen Panther und Seine Abarten - Walter J. Spielberger - Motorbuch ©1994
- 5) Panther in Detail - B. Culver & U. Feist - Ryton Publications ©1998
- 6) Panzers in Saumur No.2 - Dai Nippon Kaiga Co.,Ltd. ©1990
- 7) New Vanguard 22: PANTHER VARIANTS 1942-1945 - Osprey Military ©1997

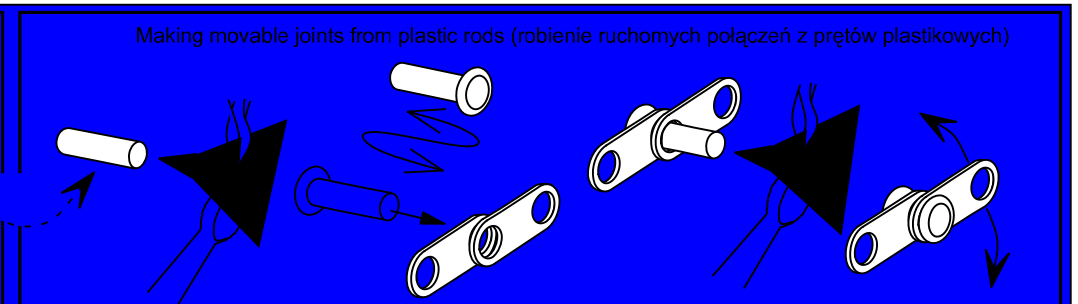
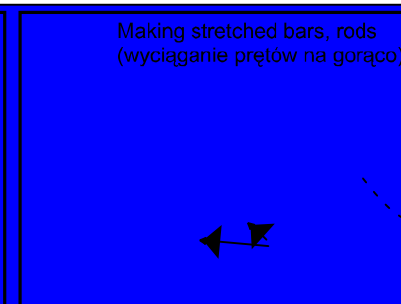
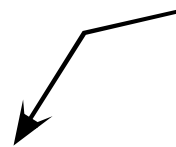
Thank you for purchase our set [35 K02](#).

Read carefully this instruction.

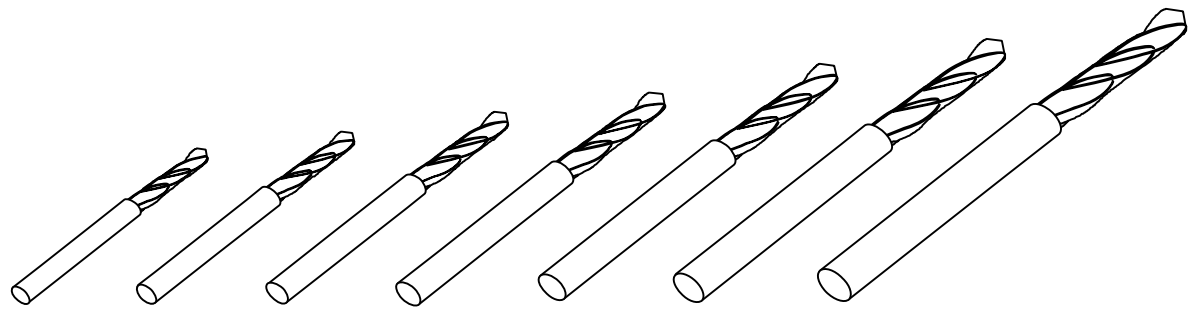
We advise that better method to join metal to metal parts is soldering.

Cement metal parts to plastic with good cyanoacryl or epoxy glue.

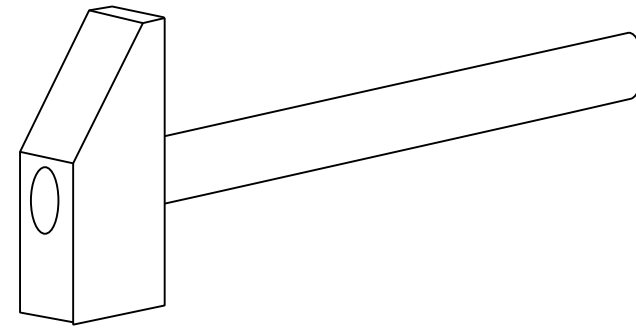
Tu umieścić piktogramy z zawieszek



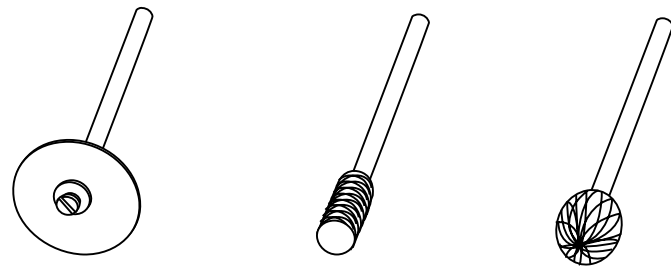
TOOLS RECOMMENDED



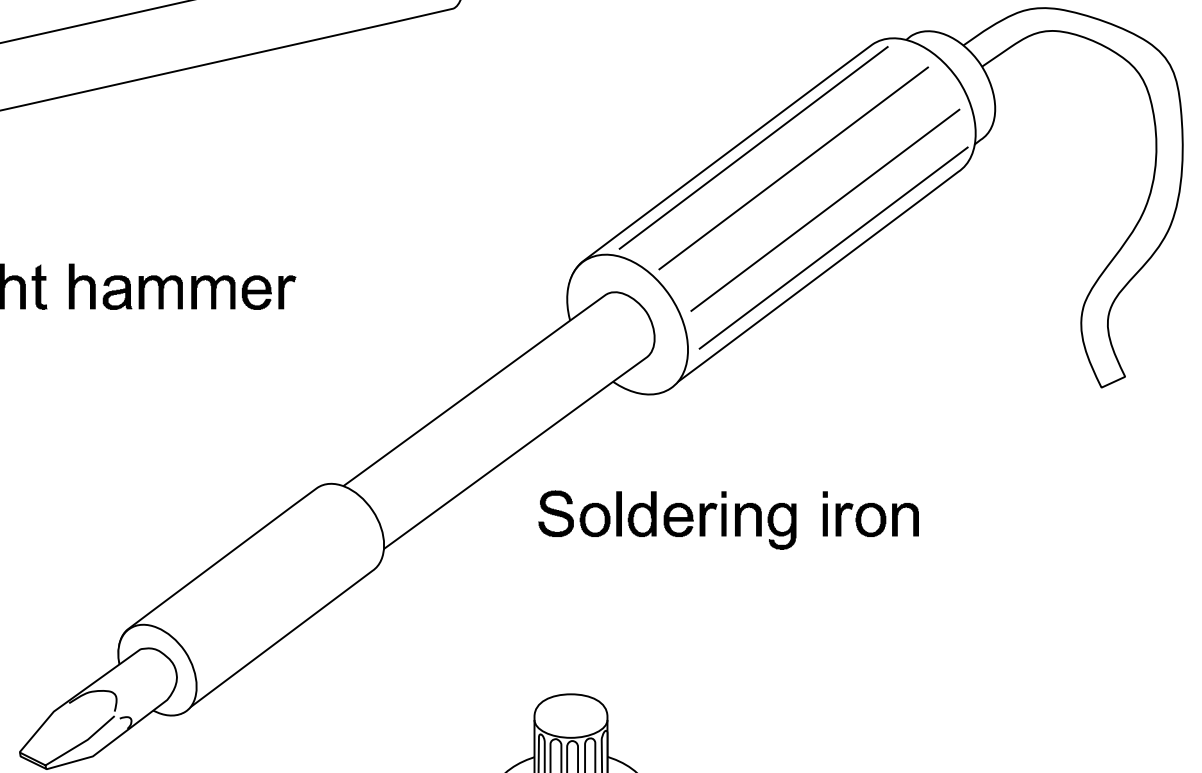
Drills from \varnothing 0,4 to 1,5 mm



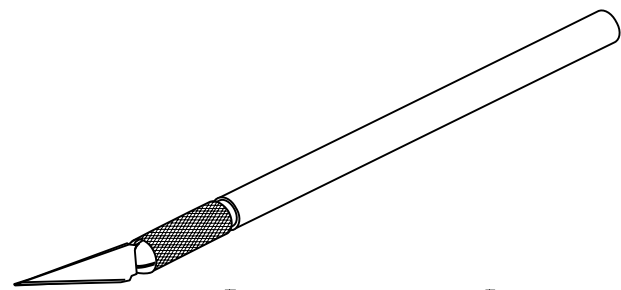
Light weight hammer



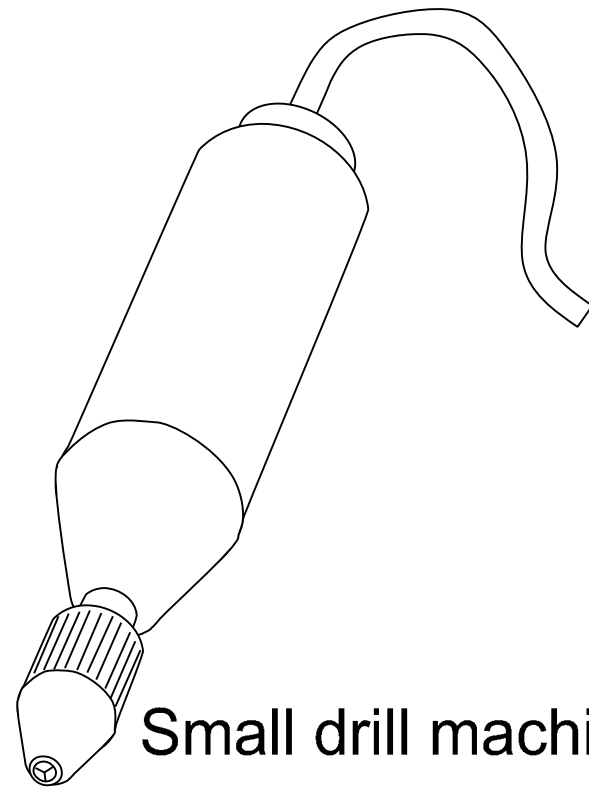
Assortment of cutting wheels and mills



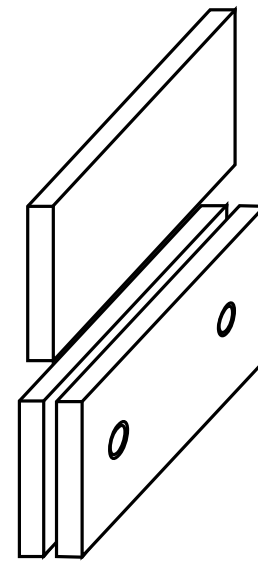
Soldering iron



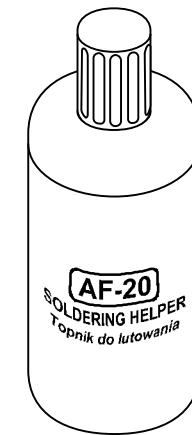
Sharp knife



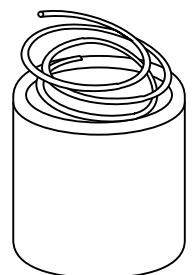
Small drill machine



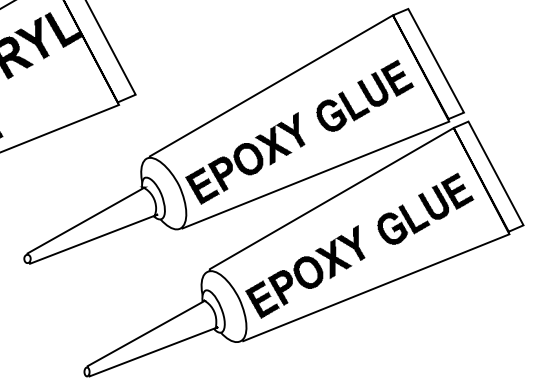
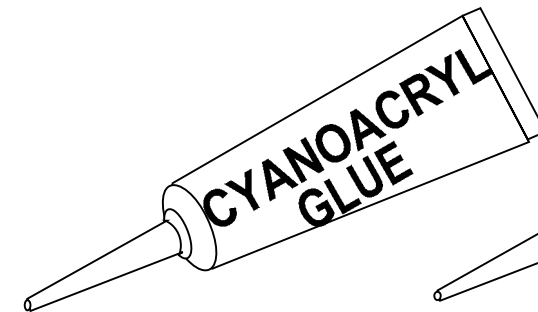
Bending tool
PG01 or PG02



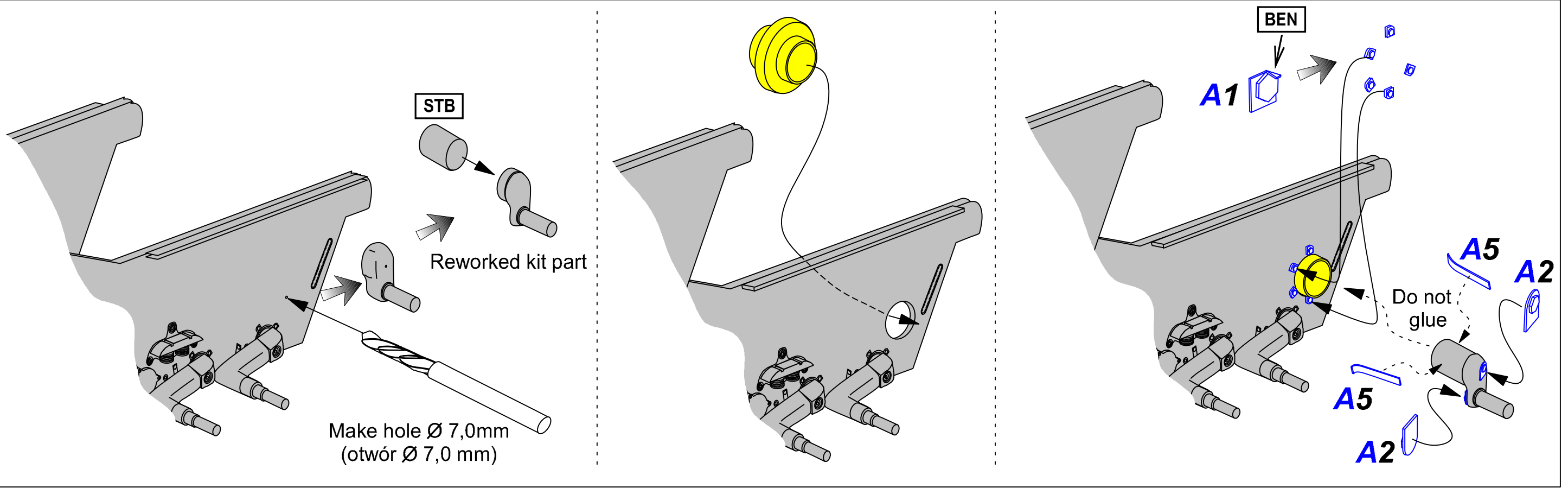
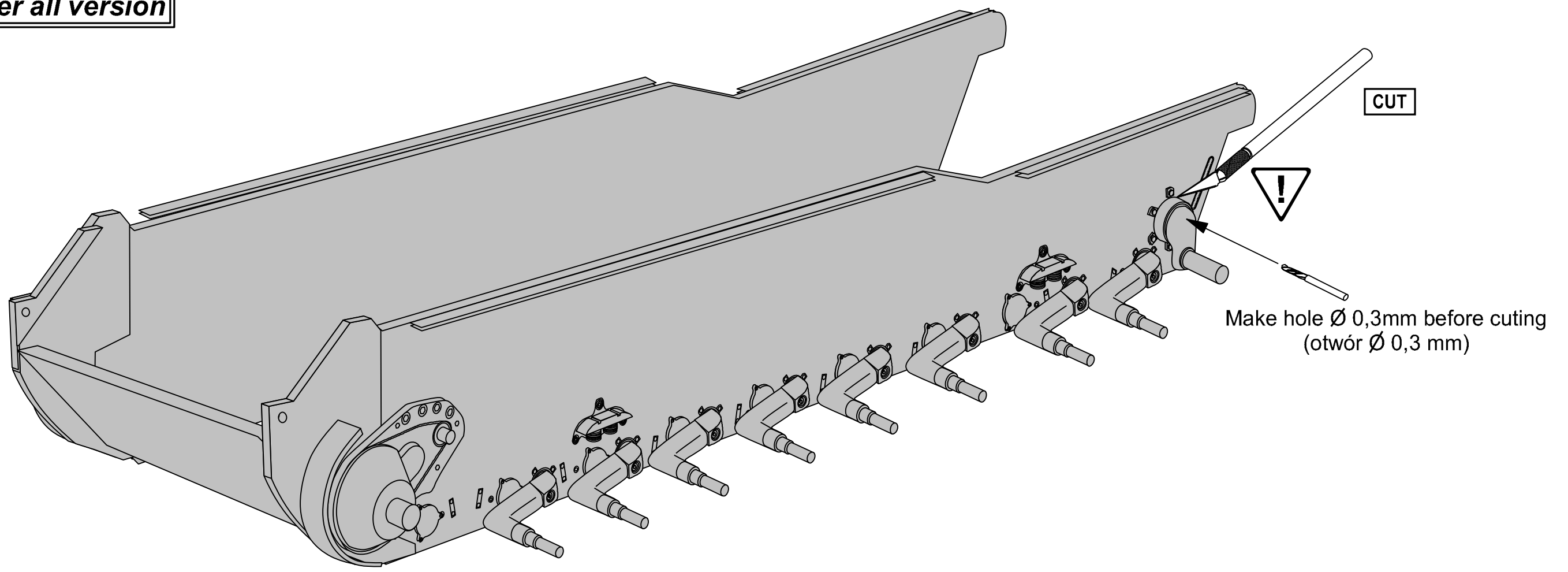
Soldering flux



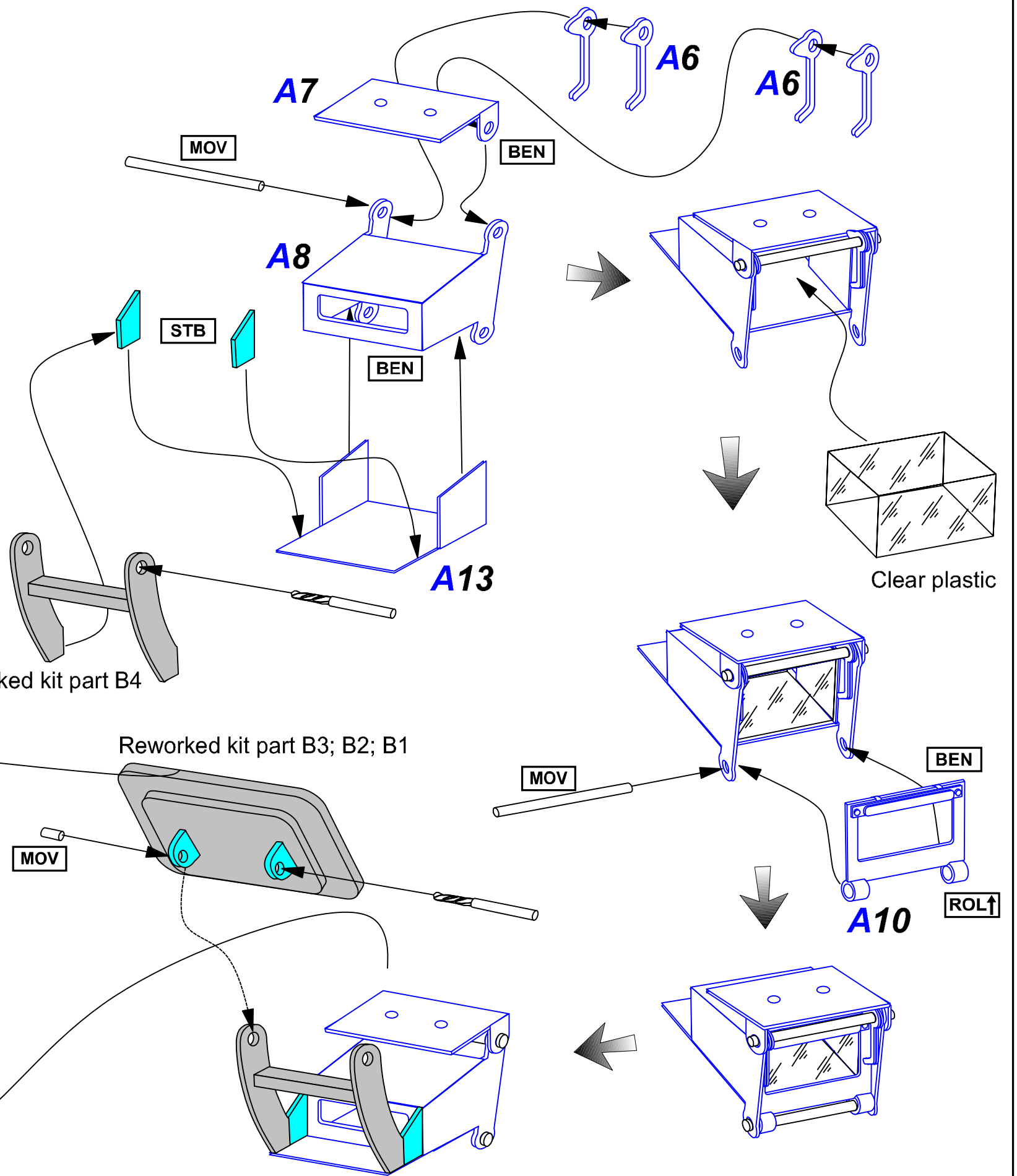
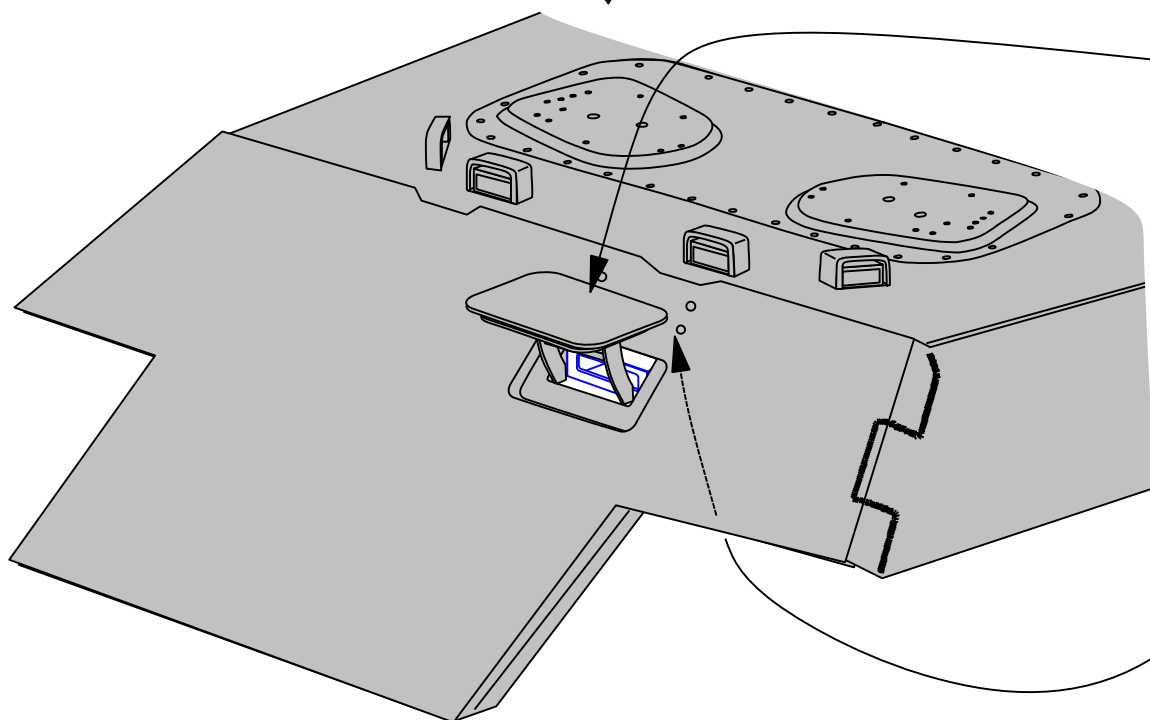
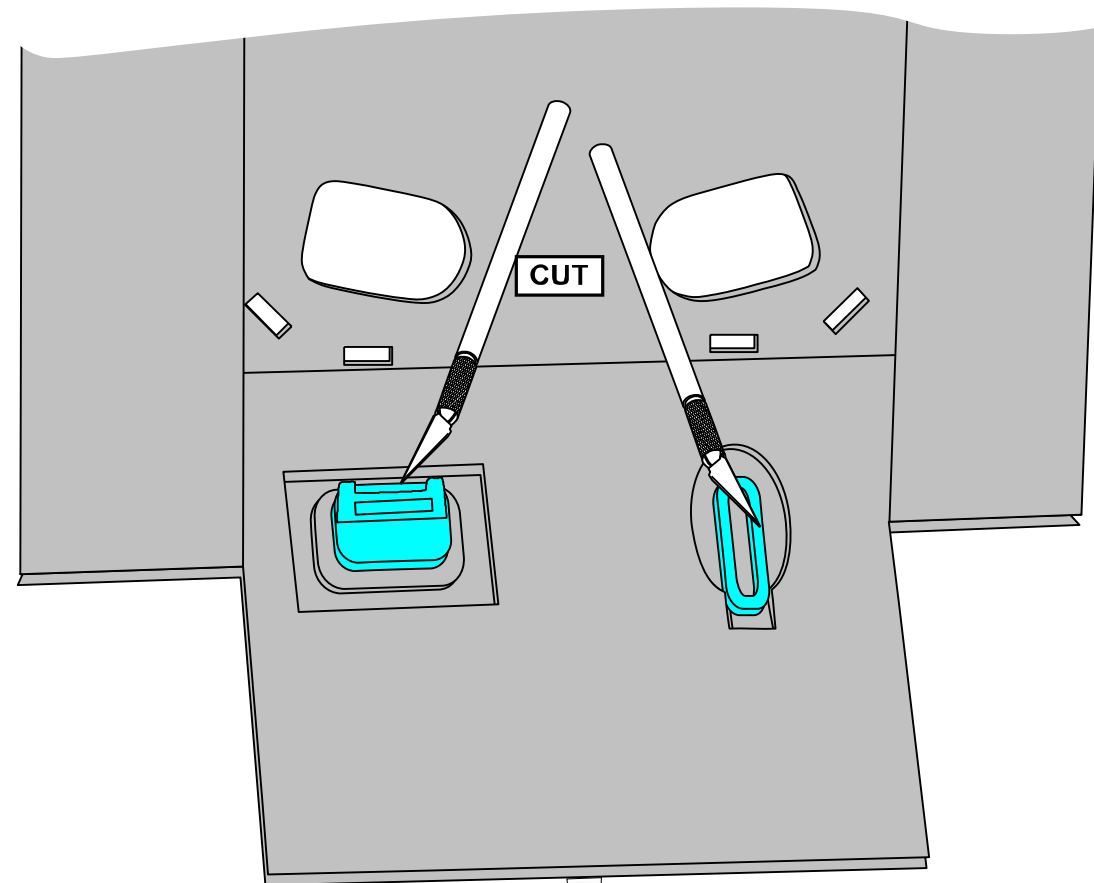
Solder



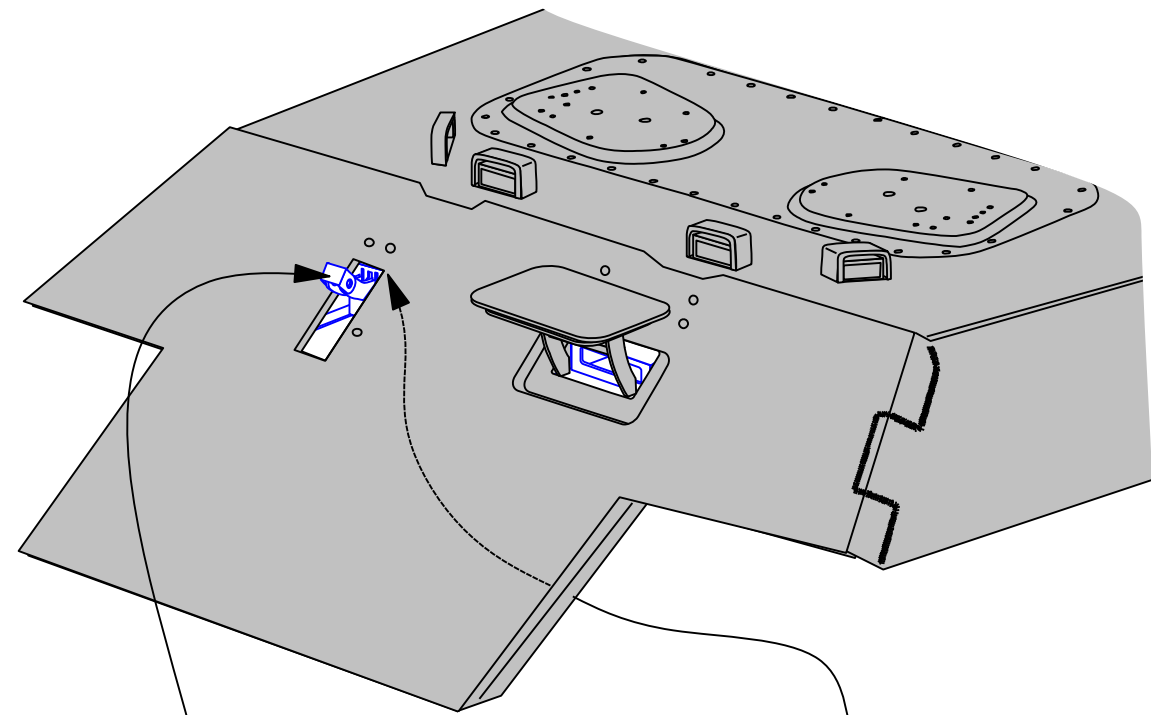
Panther all version



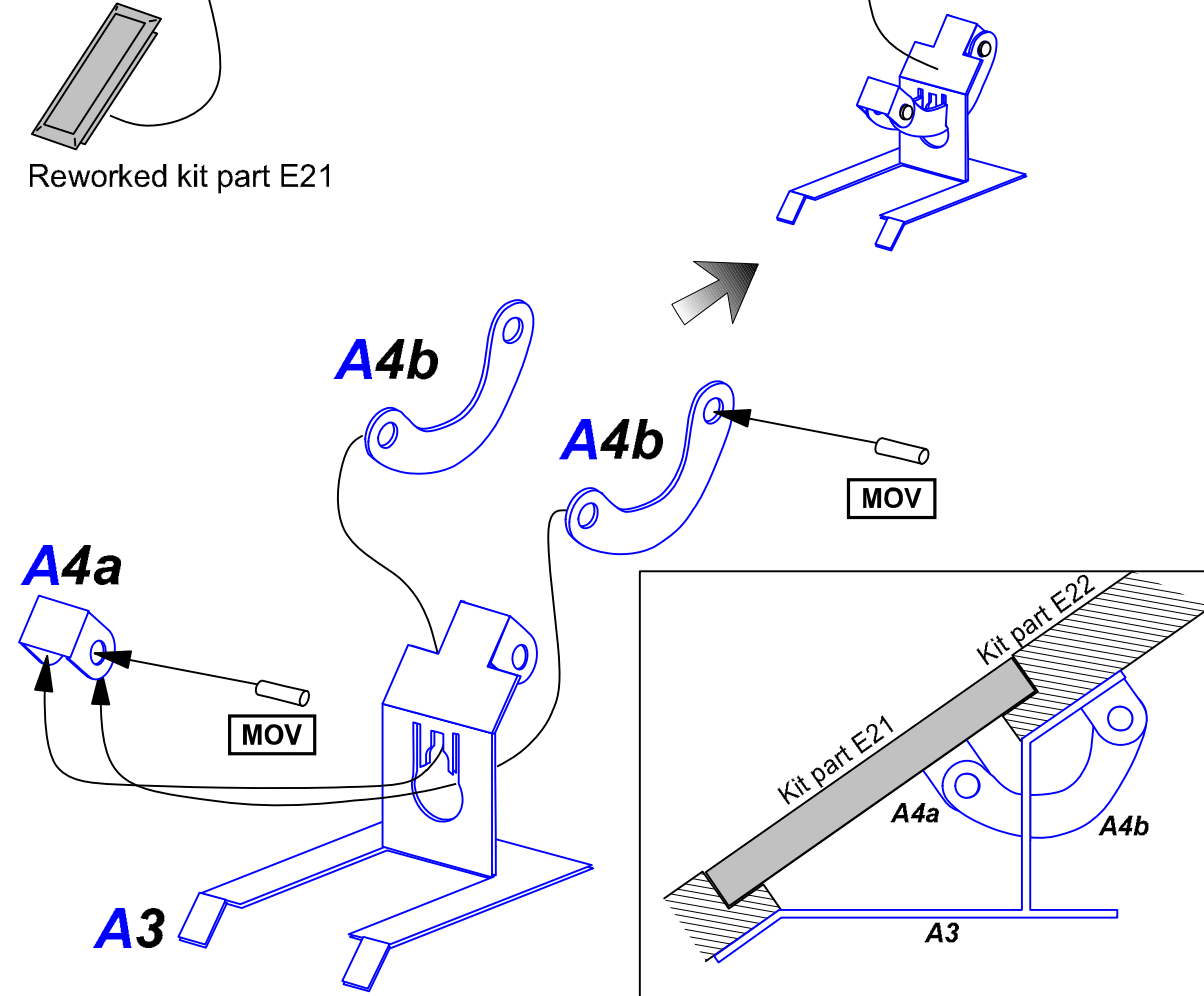
Panther all version



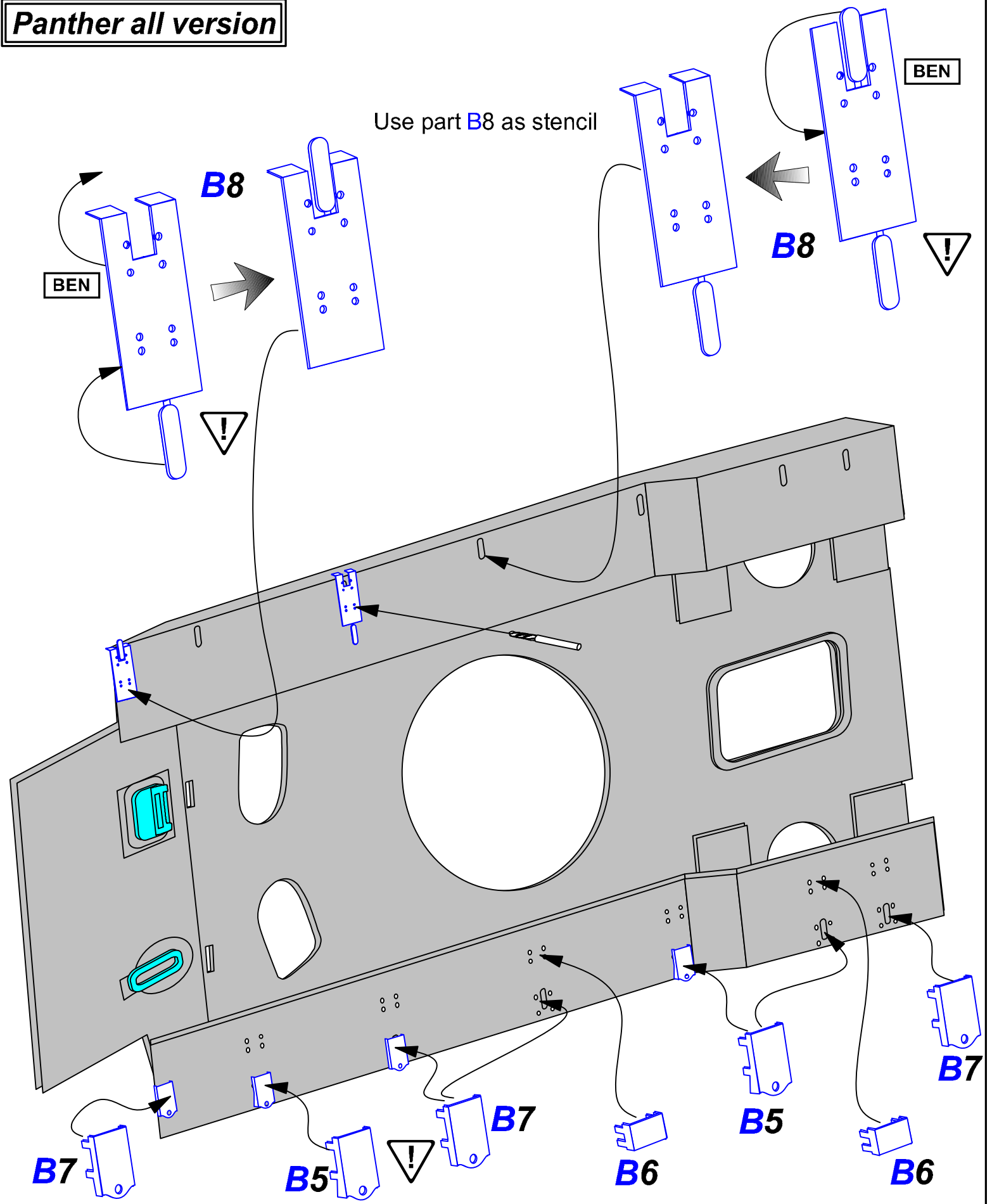
Panther version Ausf. D early ; D late; A early;



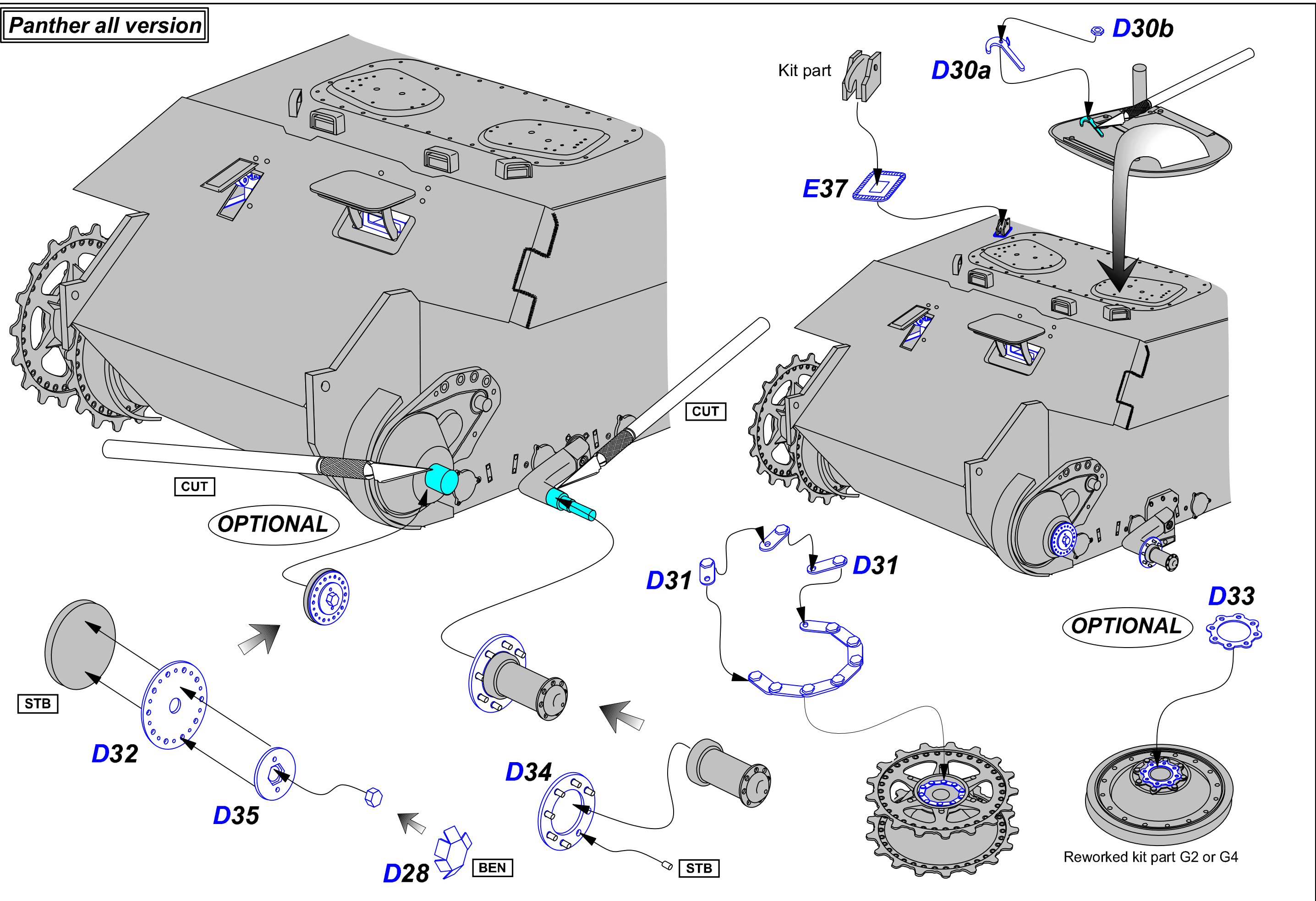
Reworked kit part E21



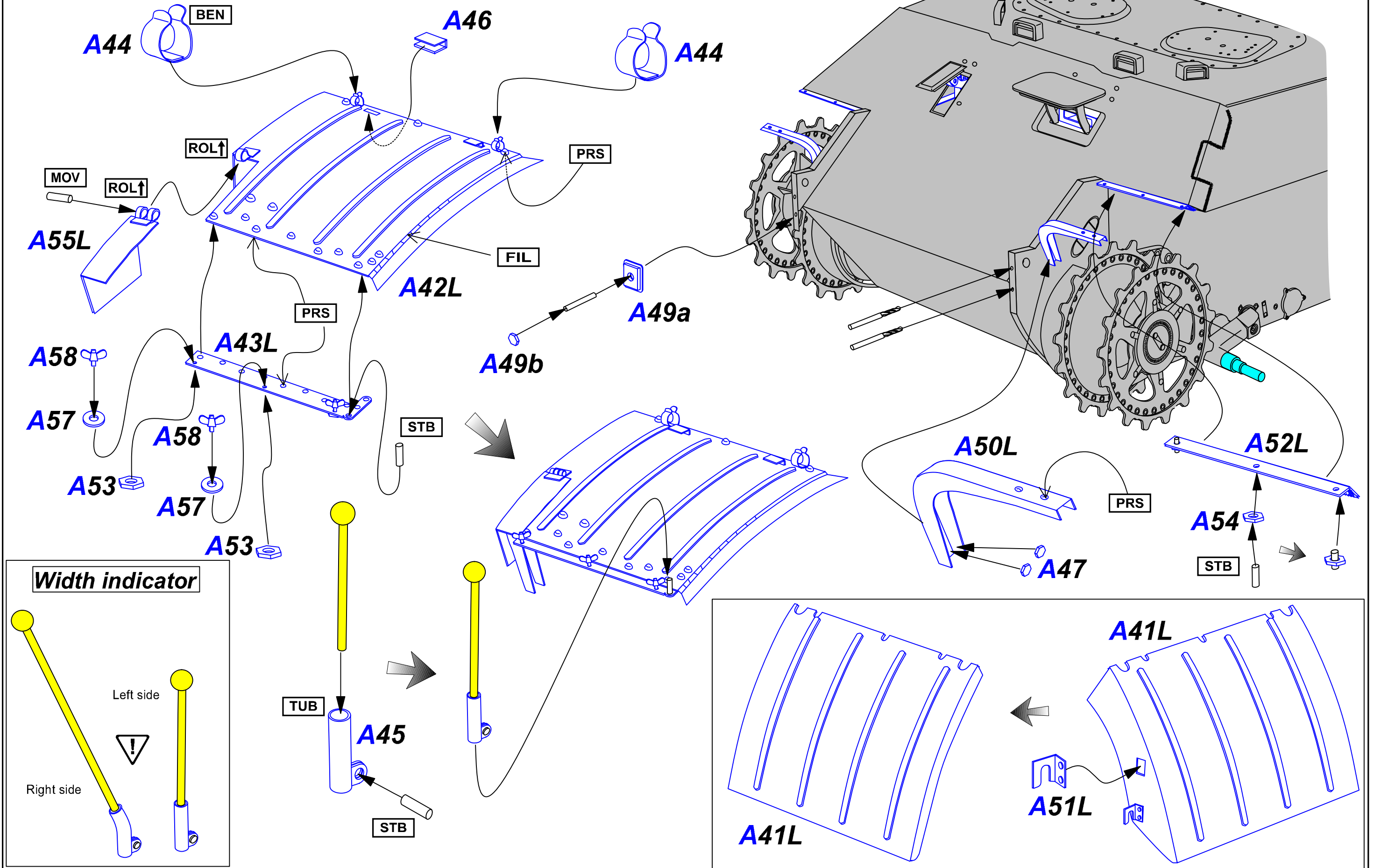
Panther all version



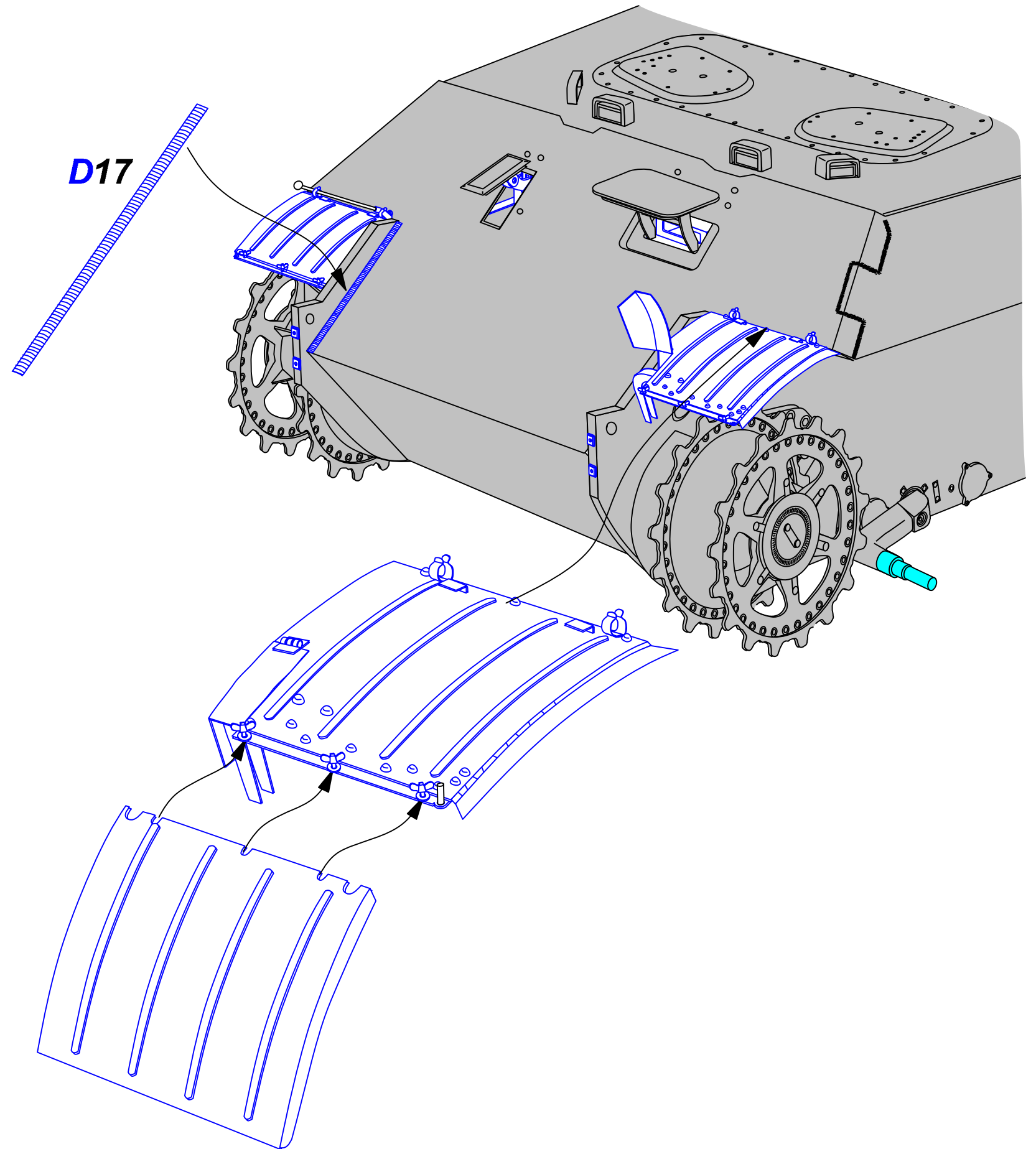
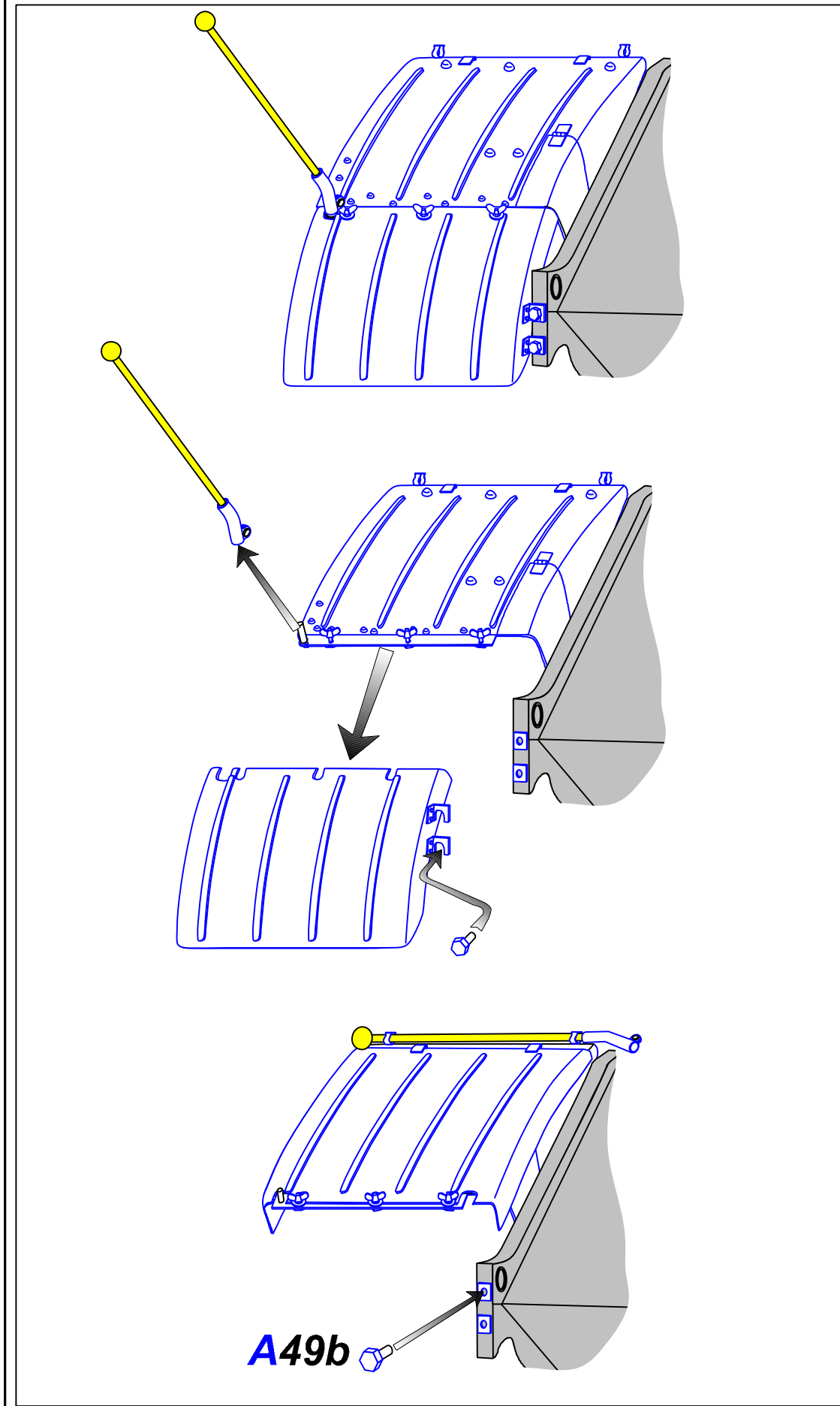
Panther all version



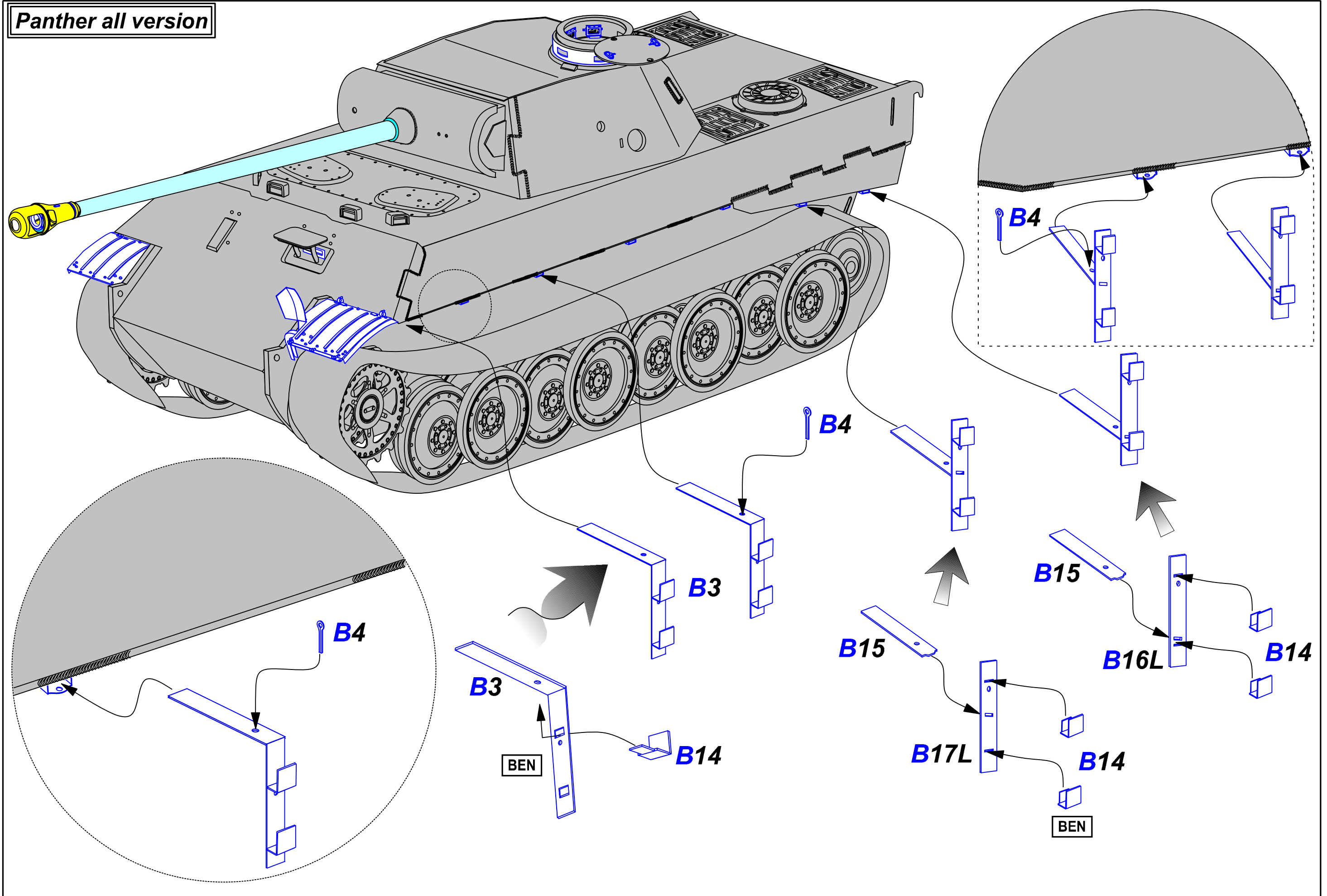
Panther all version



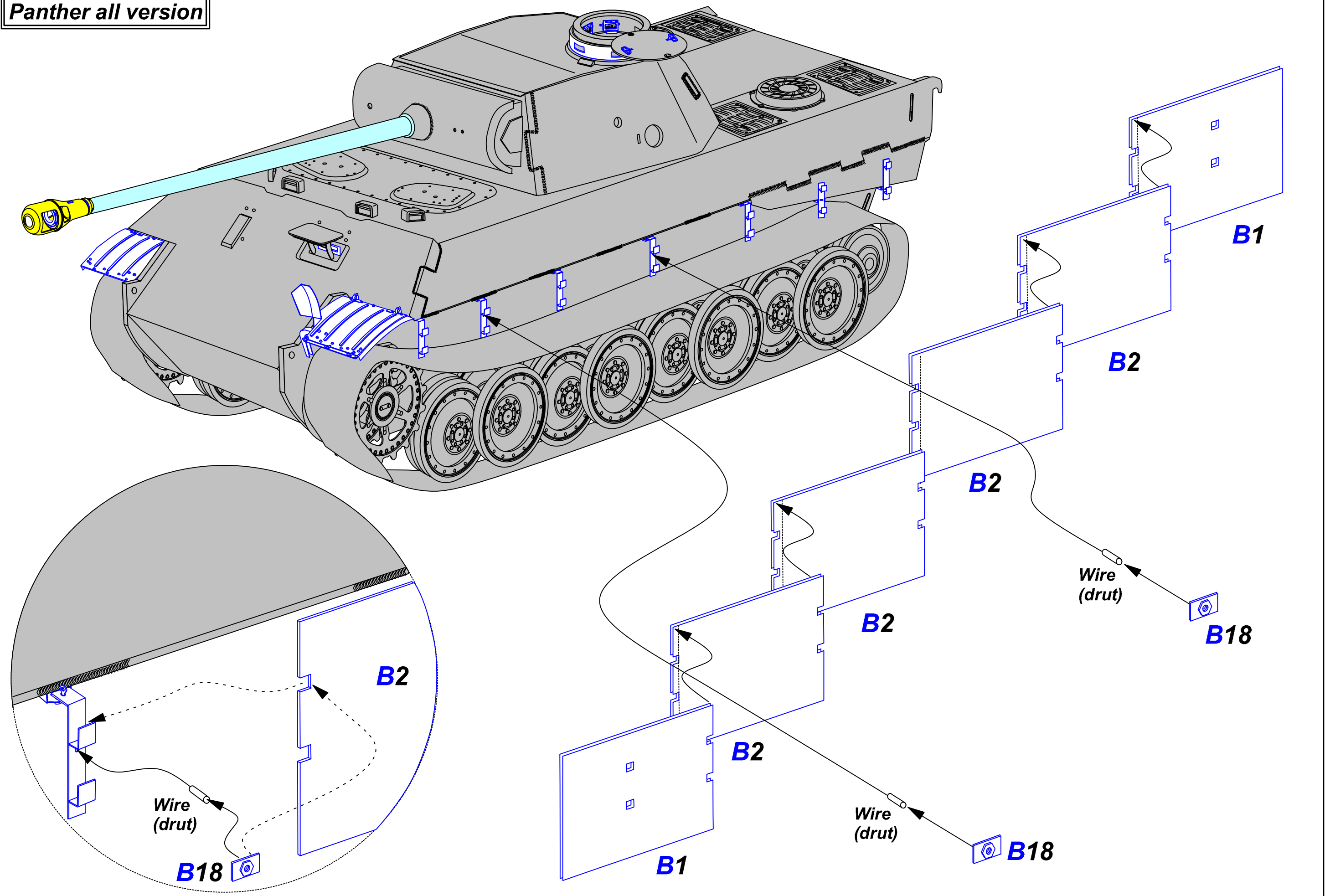
Panther all version



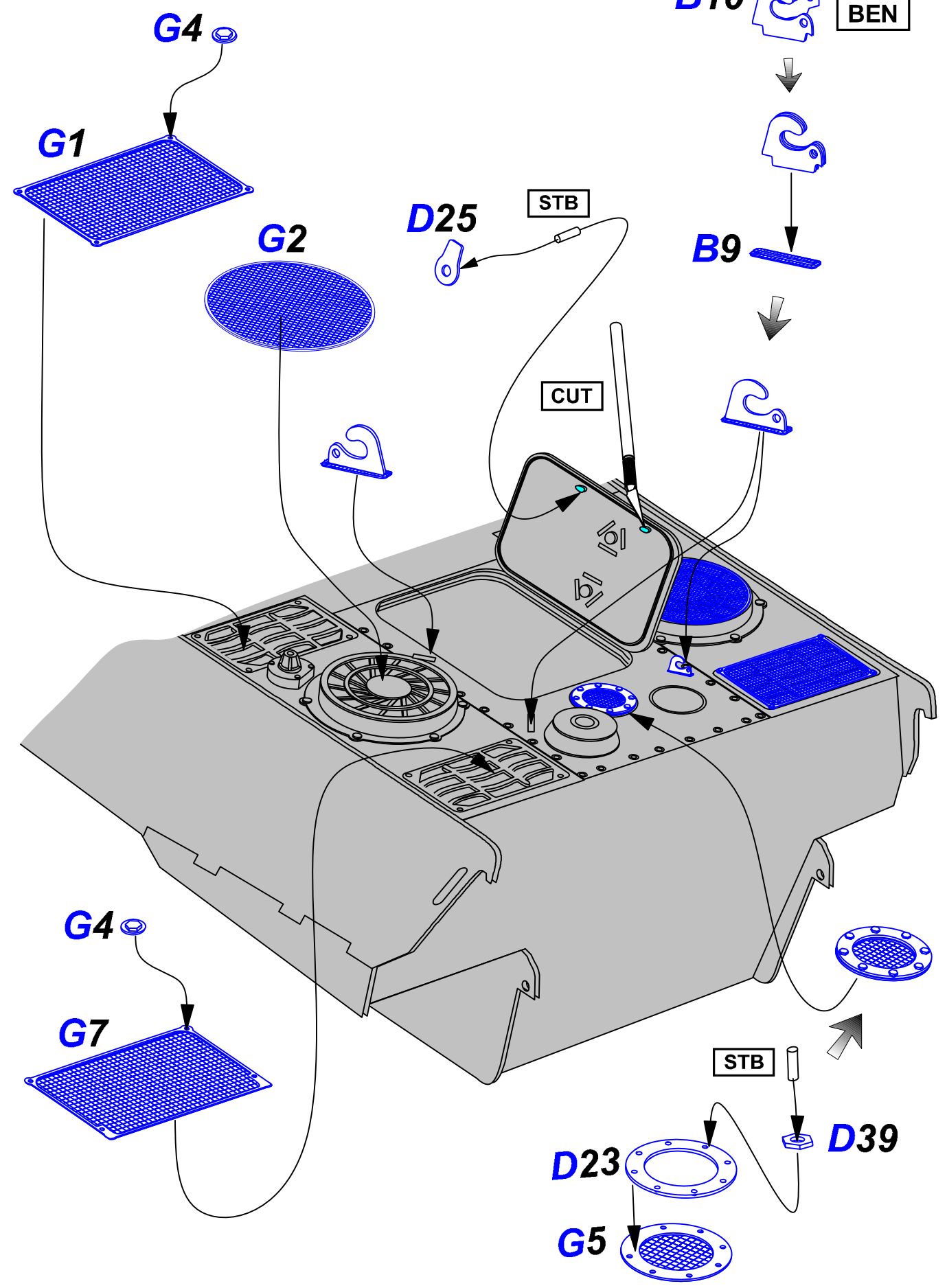
Panther all version



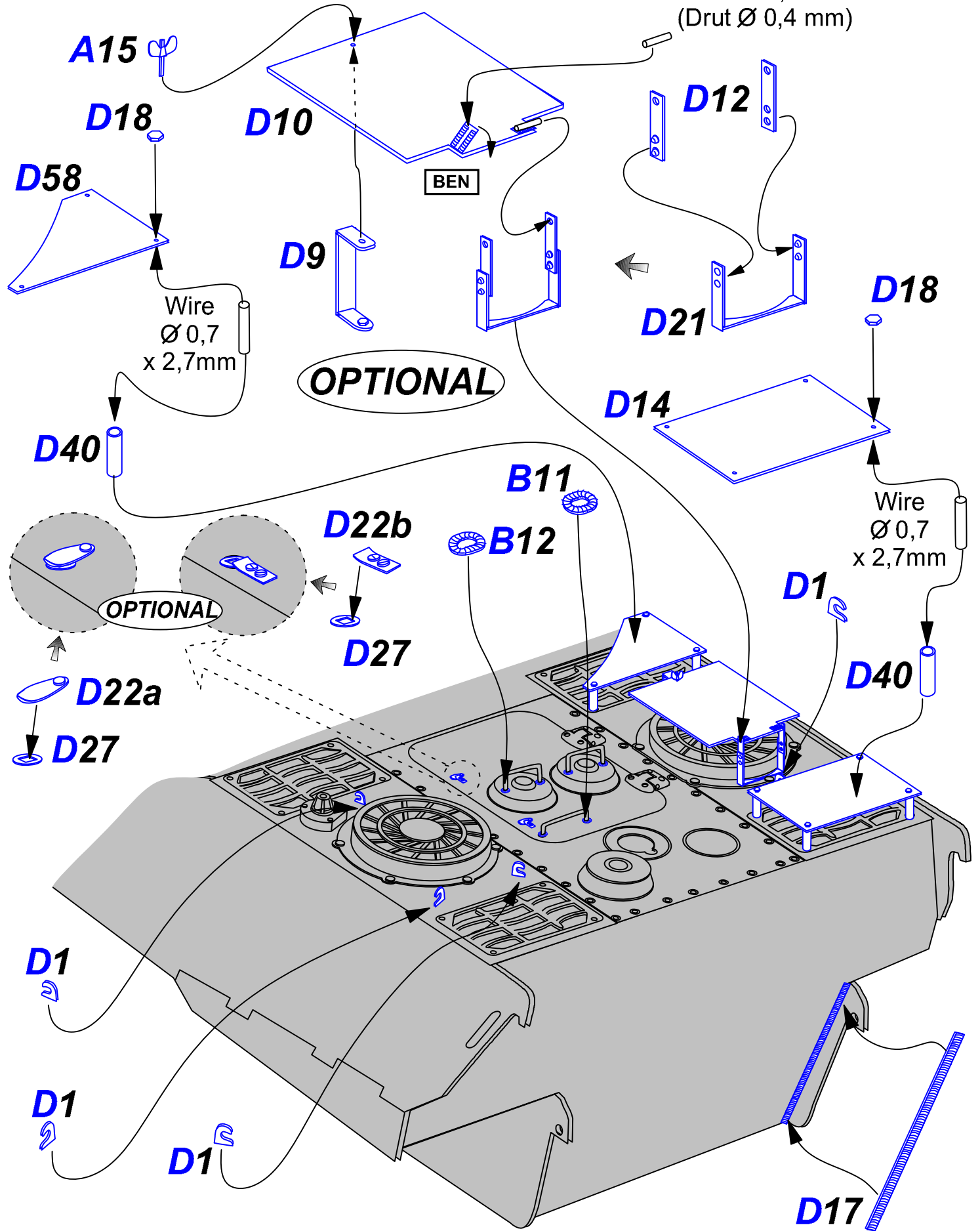
Panther all version



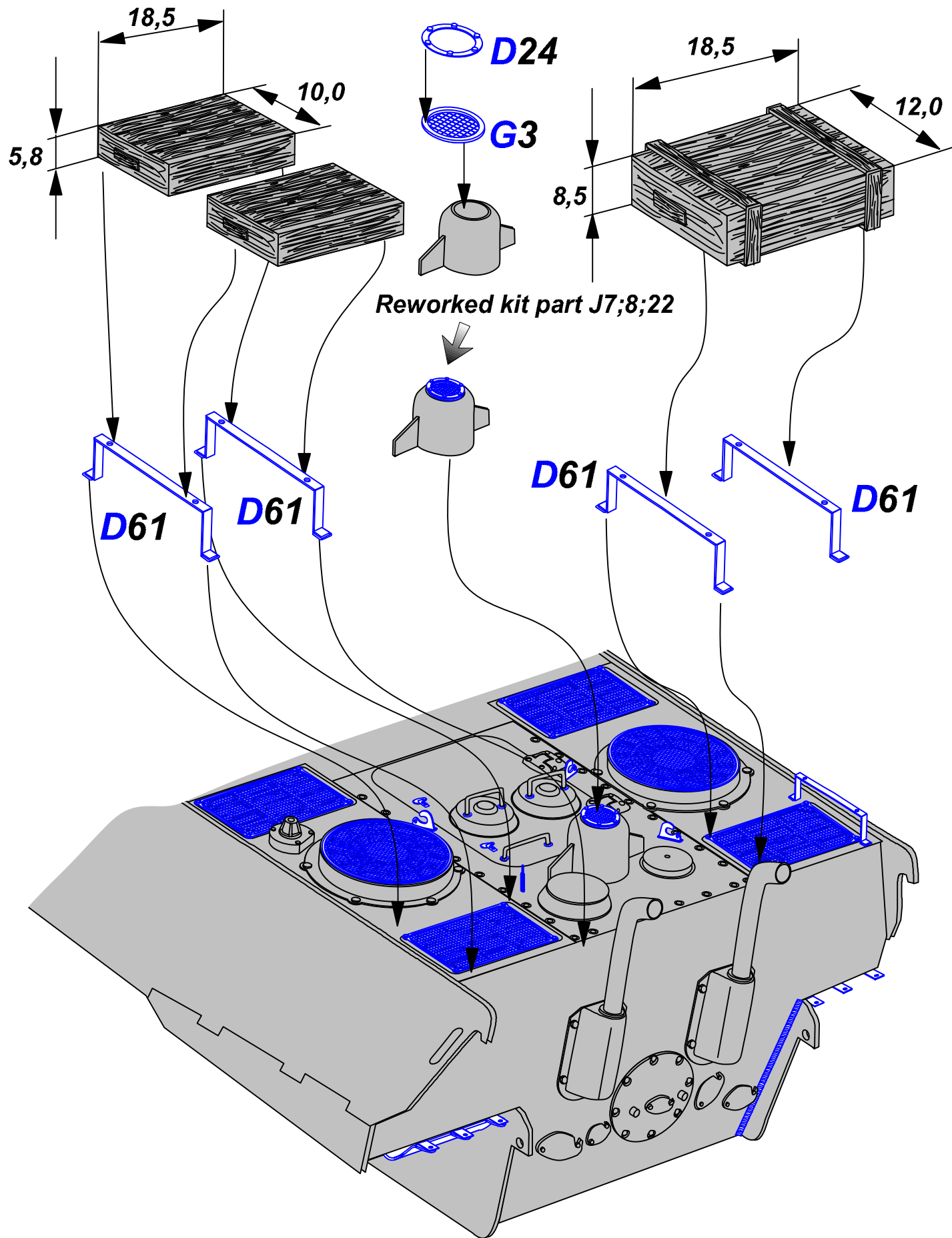
Panther all version



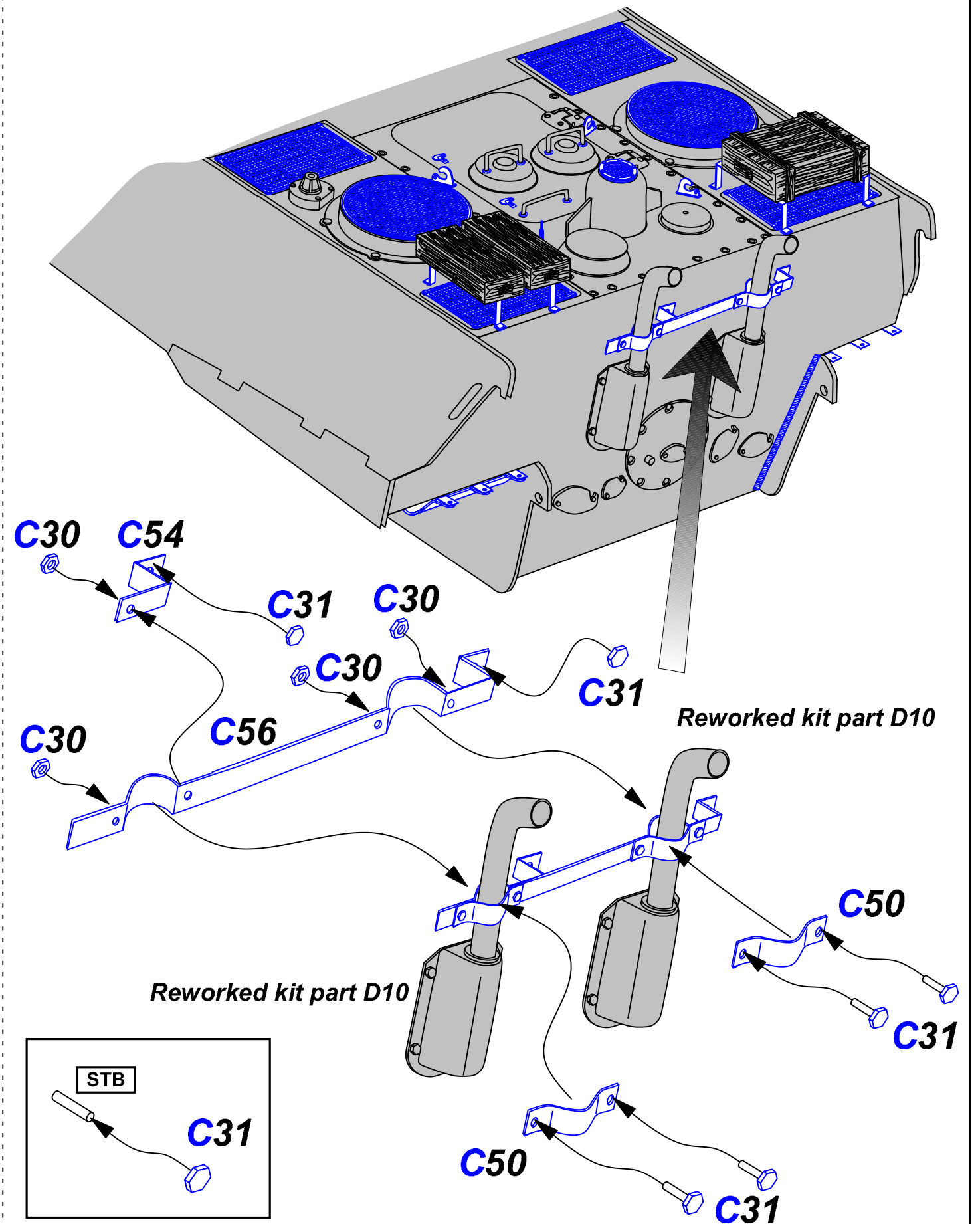
Panther version Ausf. D late; A late only



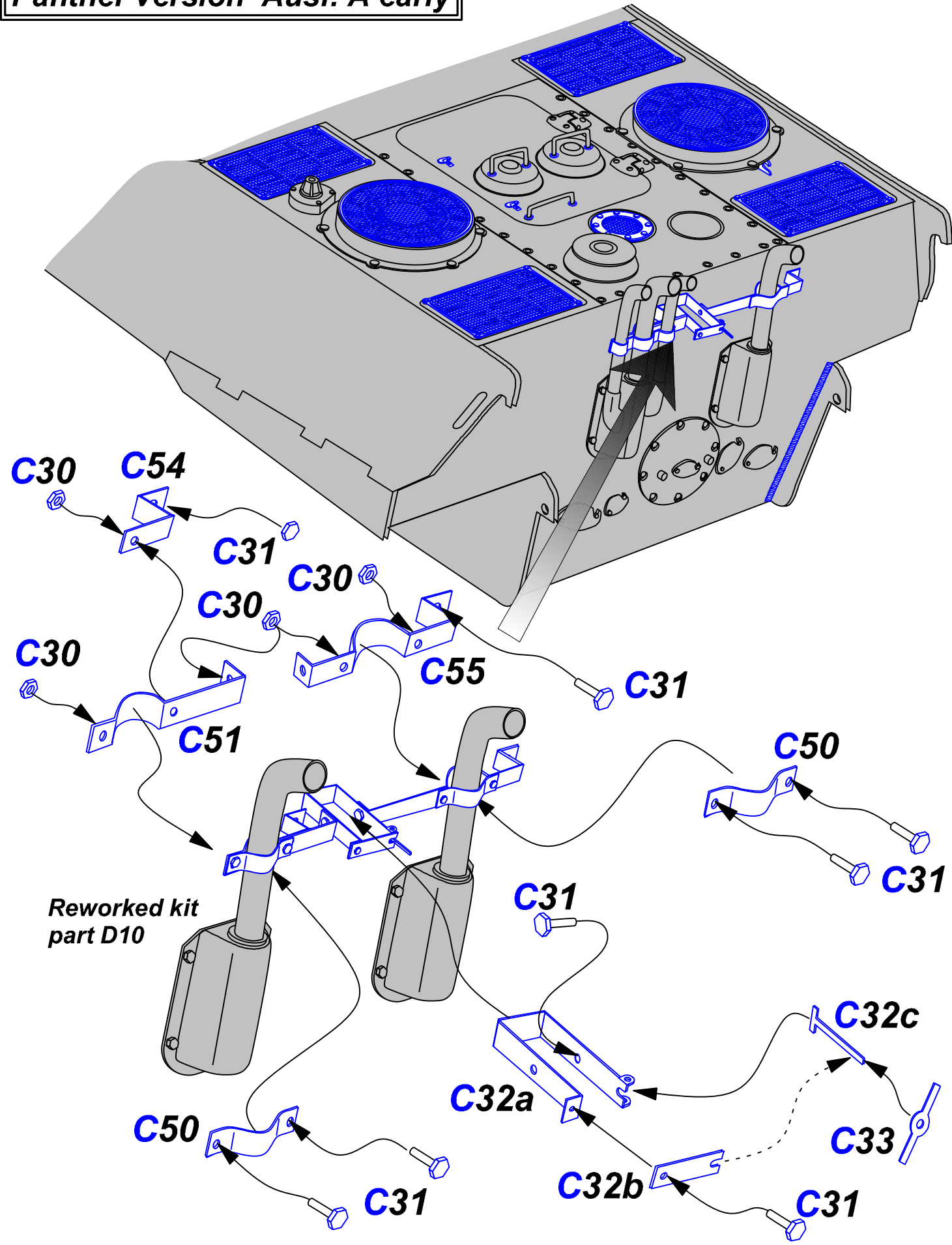
Panther version Ausf. D only



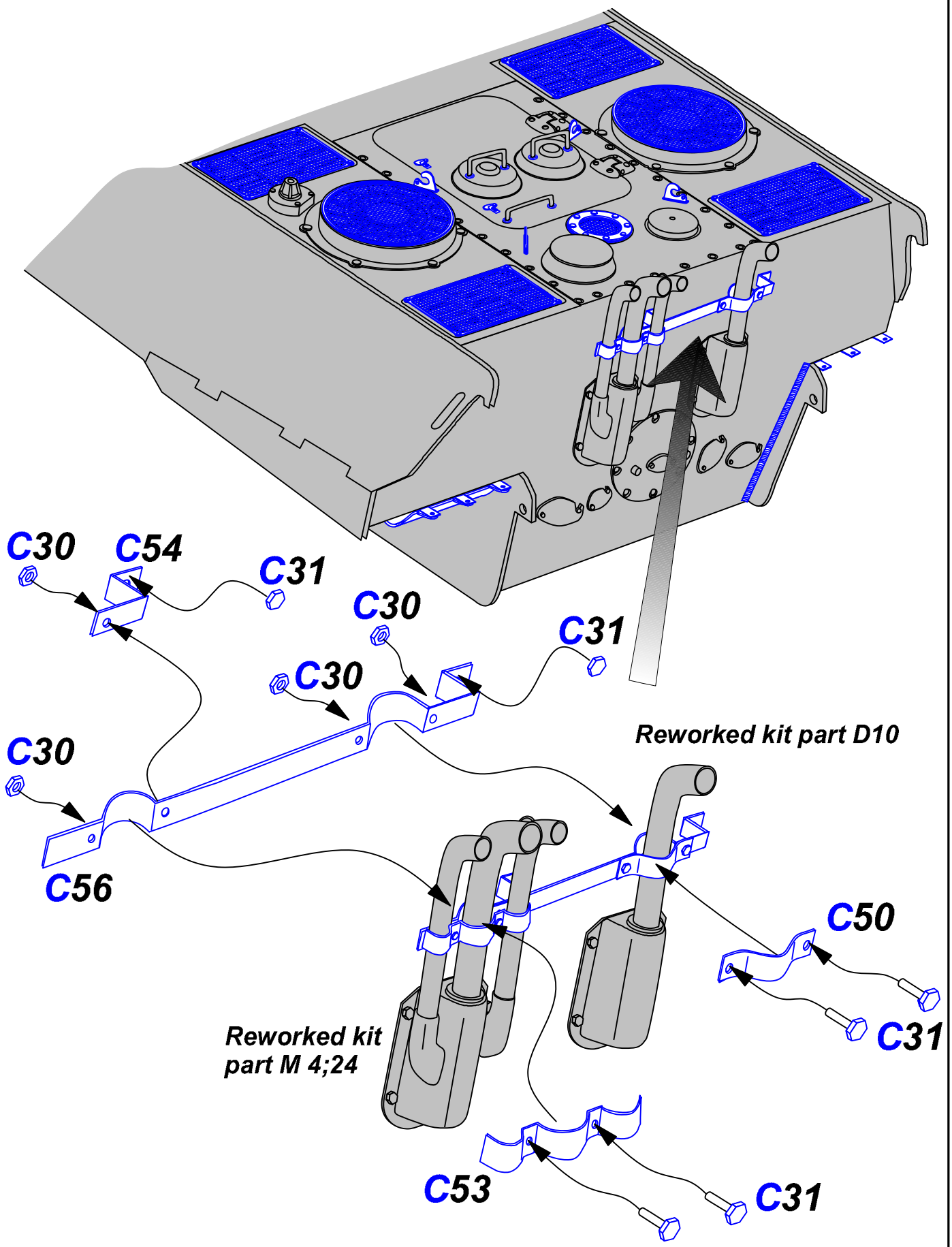
Panther version Ausf. D ,Ausf A early



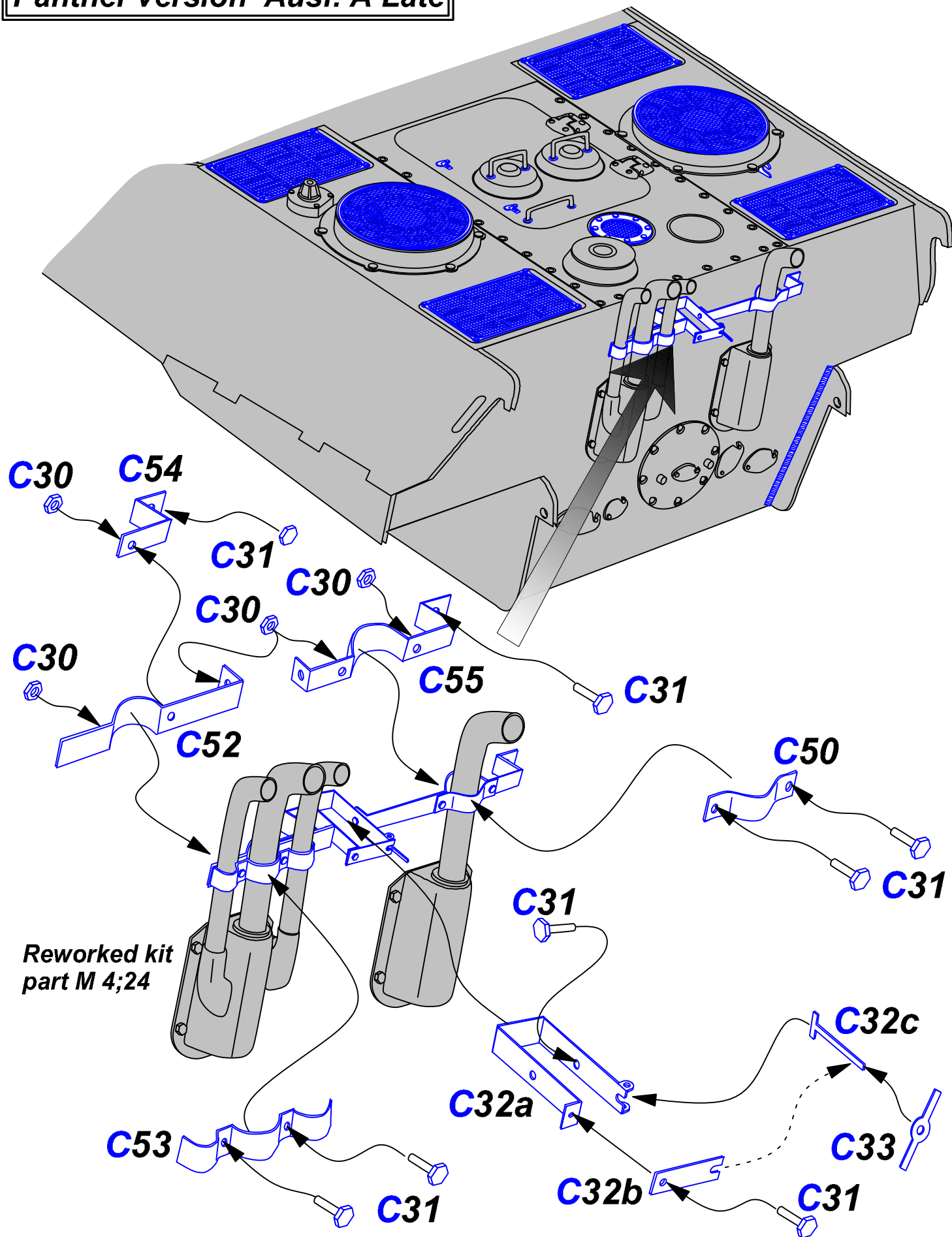
Panther version Ausf. A early



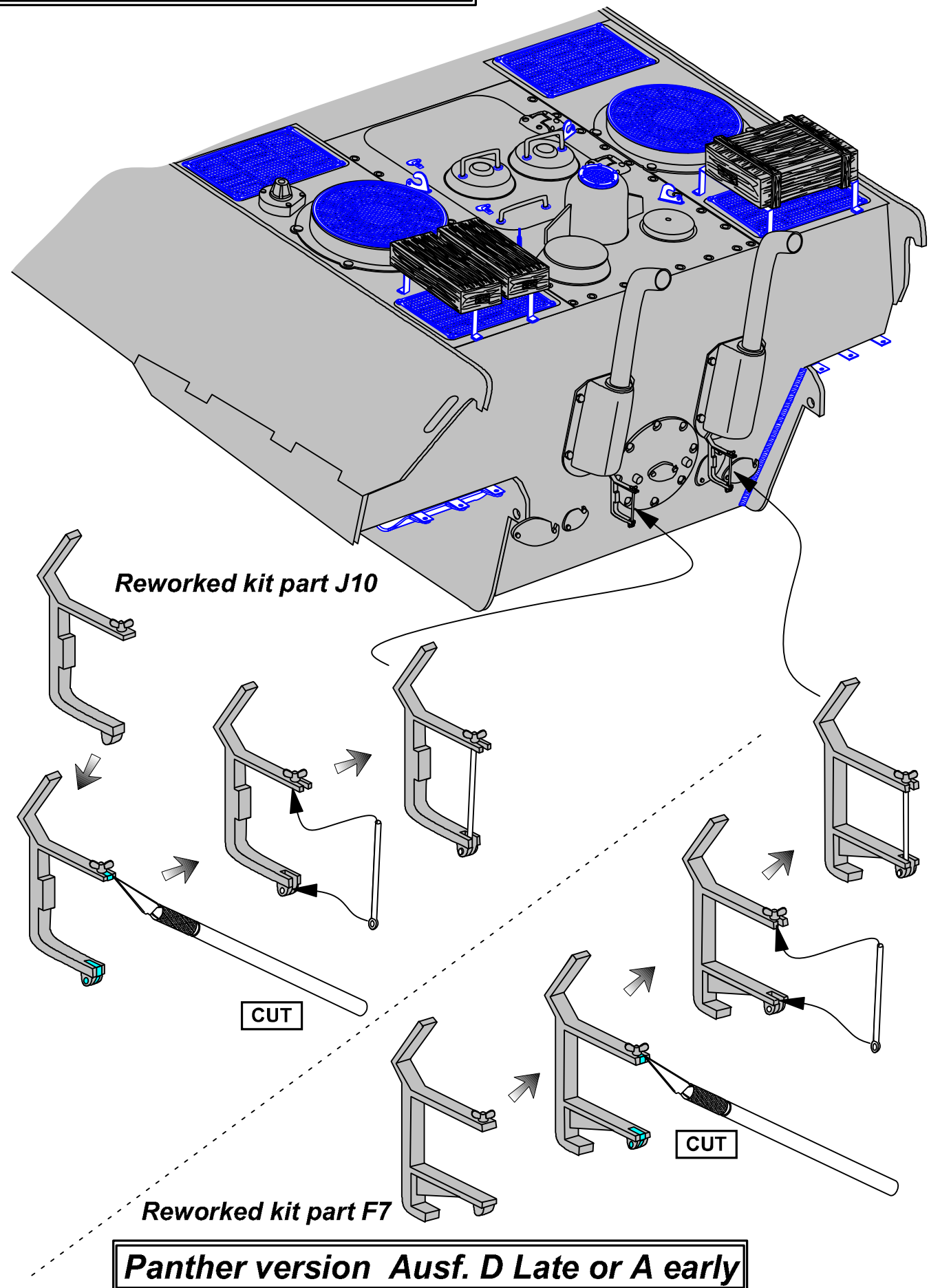
Panther version Ausf. A late/early



Panther version Ausf. A Late

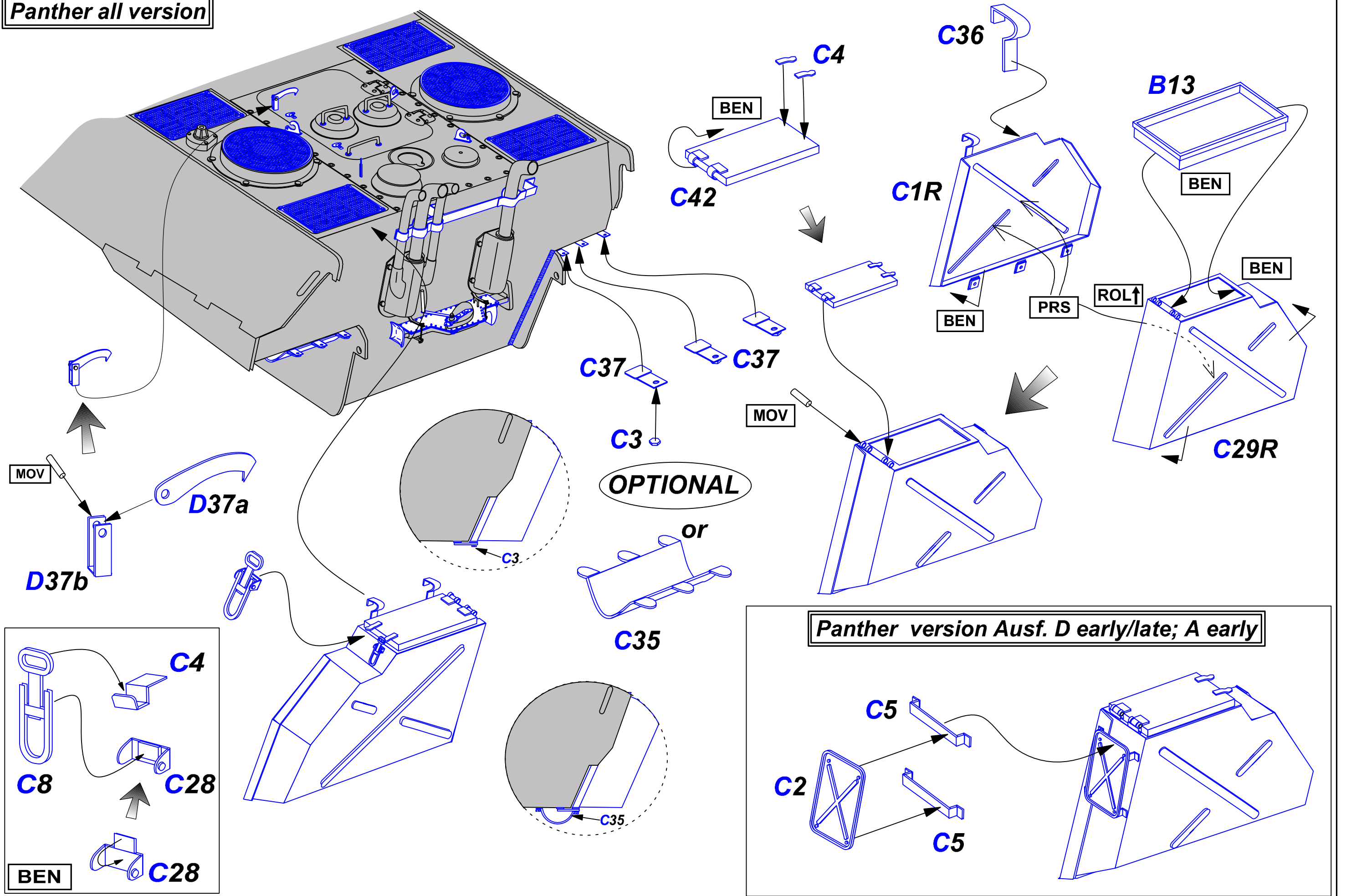


Panther version Ausf. D Early

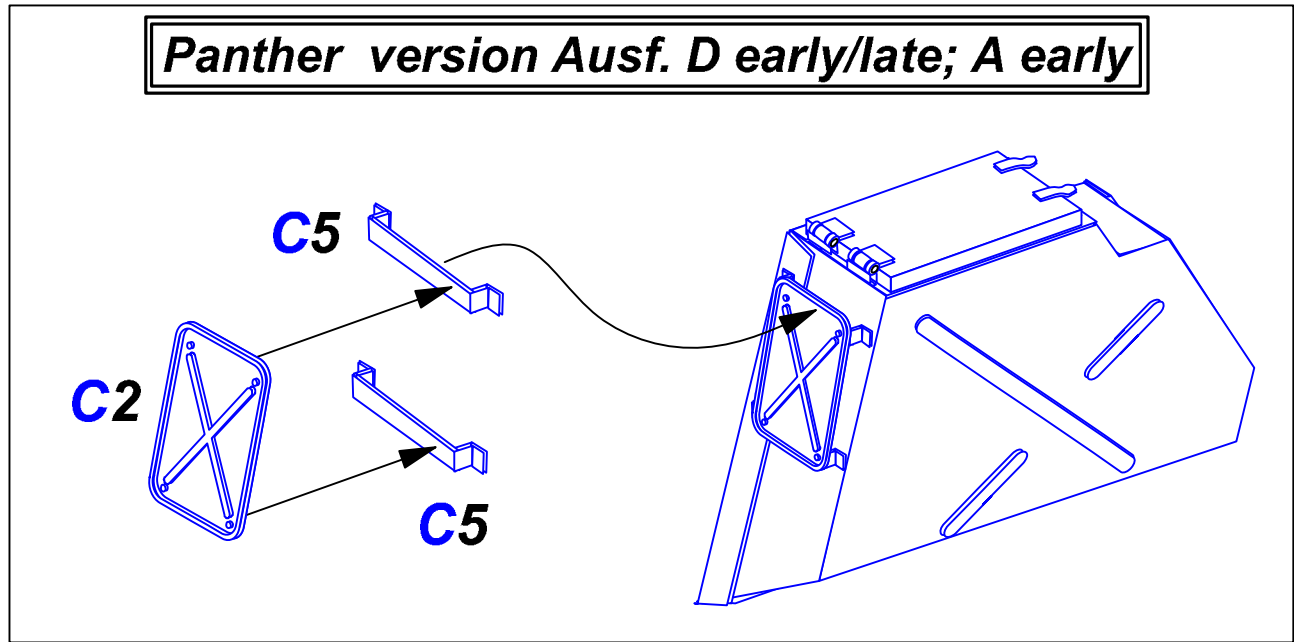


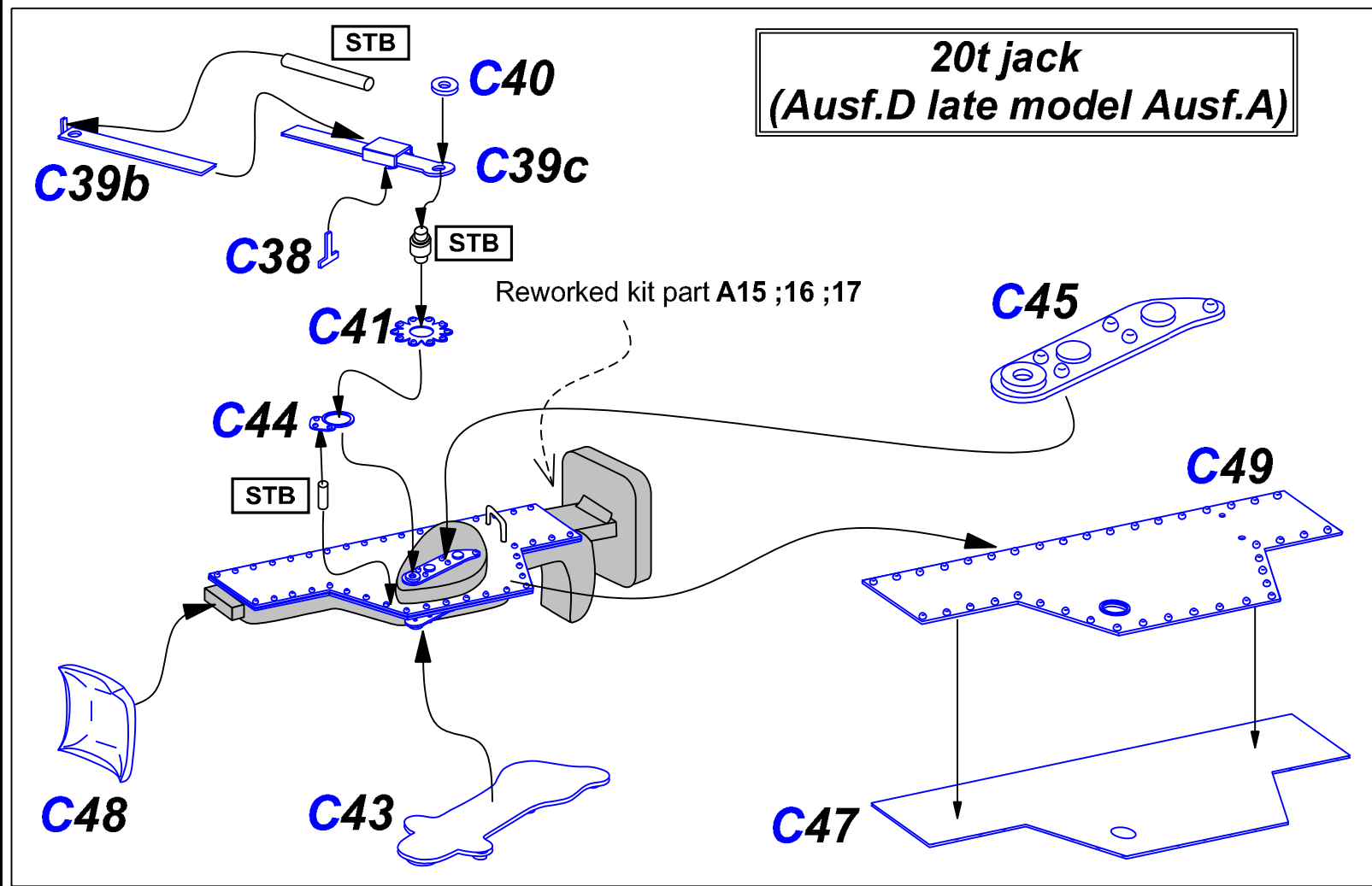
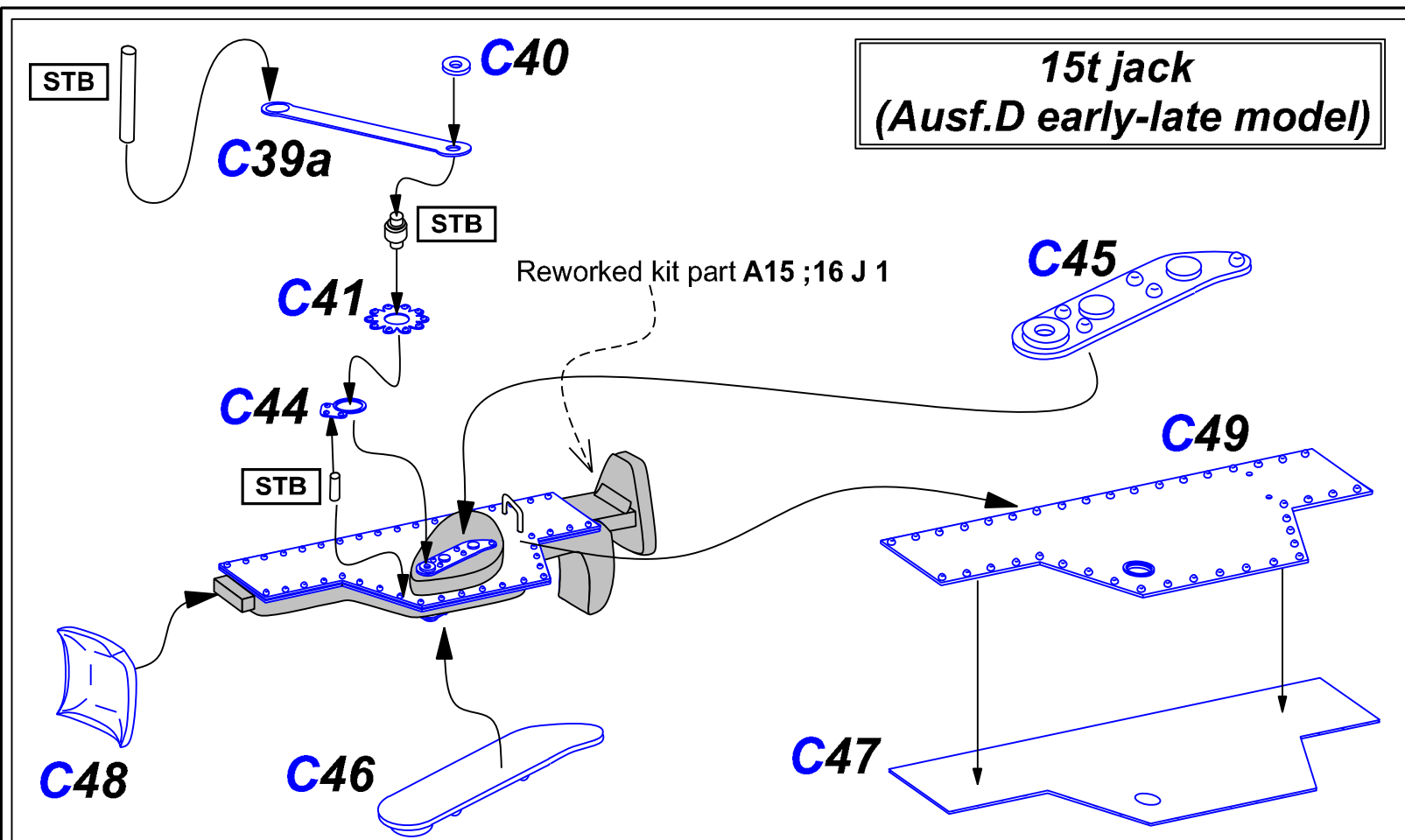
Panther version Ausf. D Late or A early

Panther all version

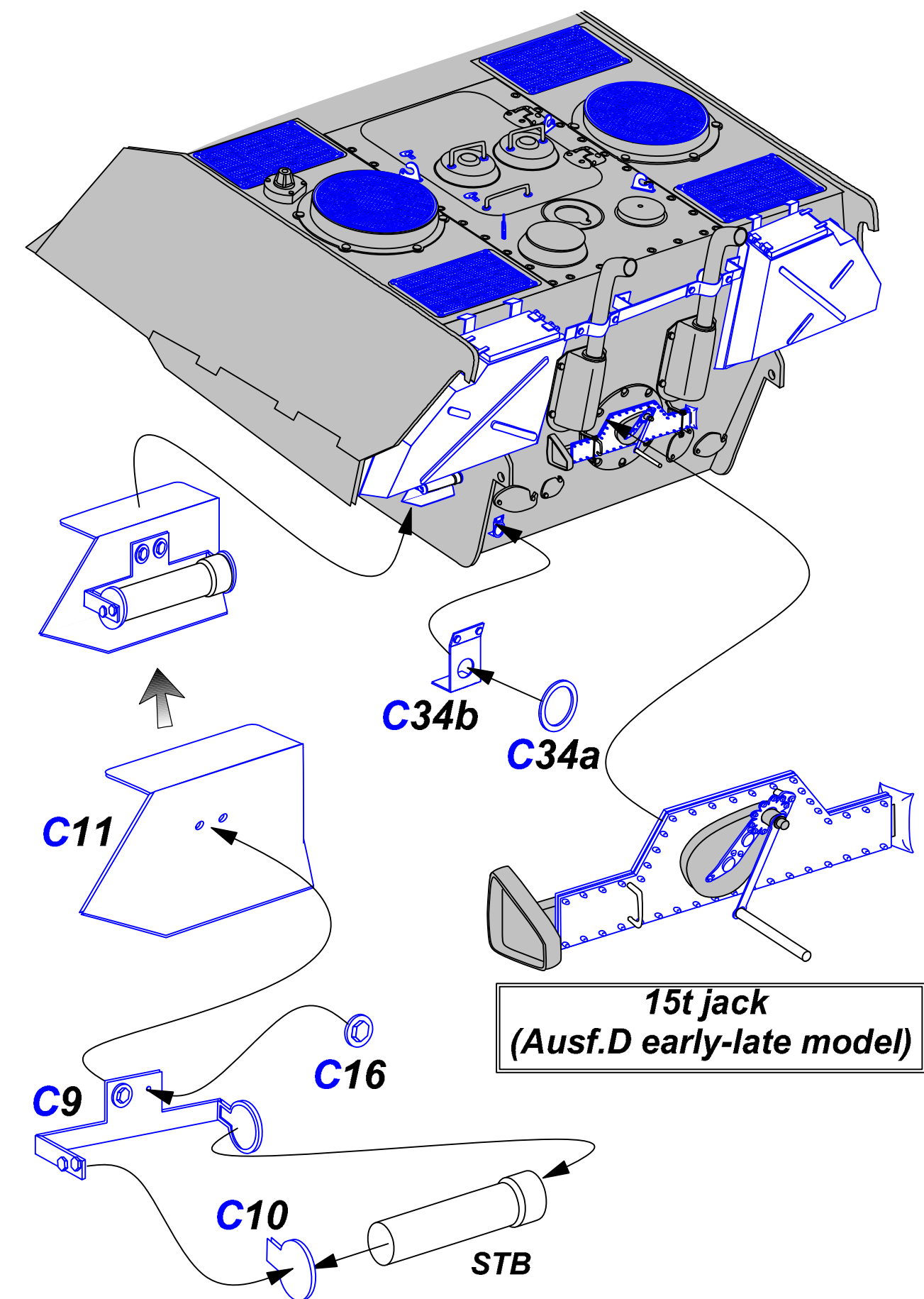


Panther version Ausf. D early/late; A early

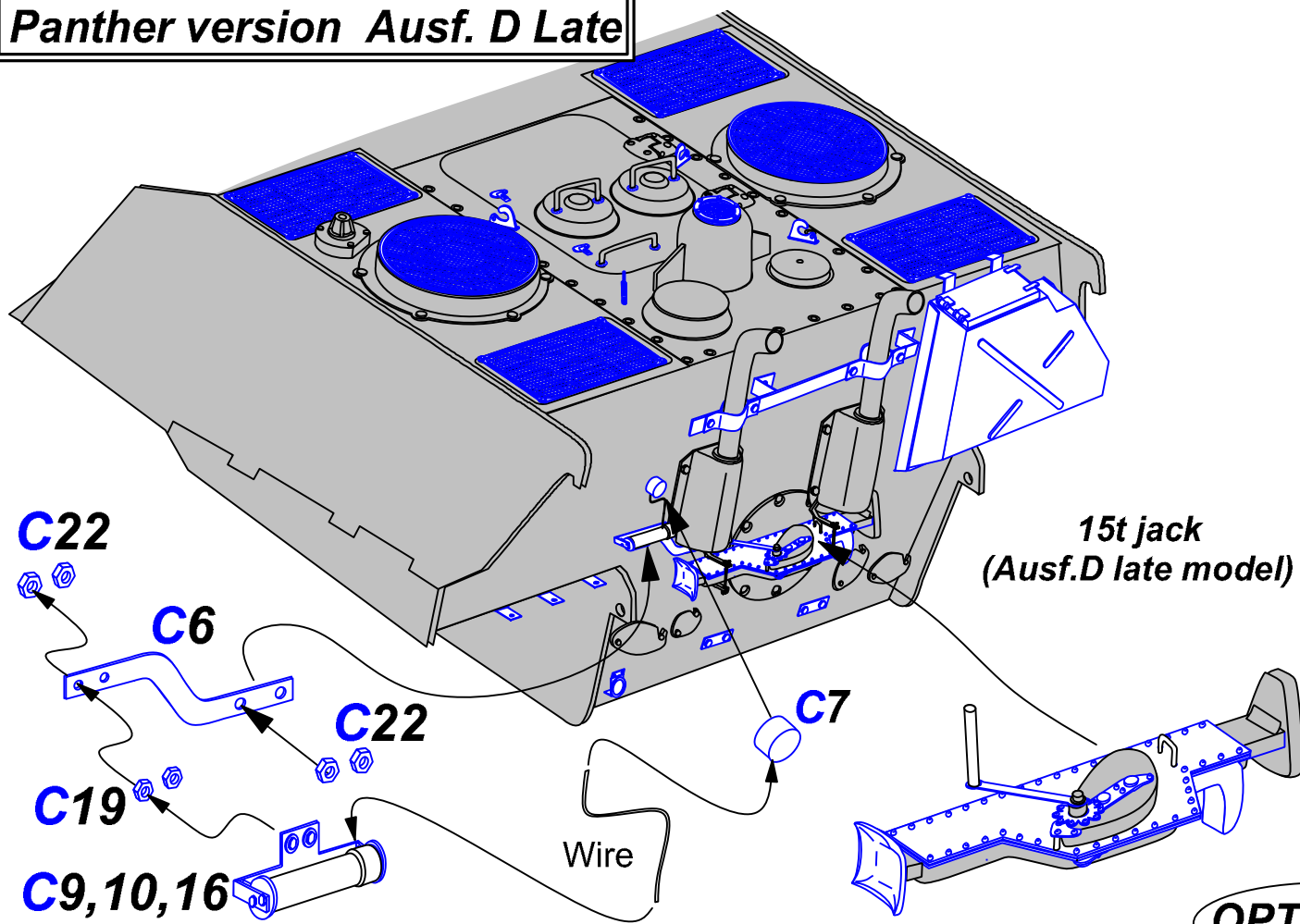




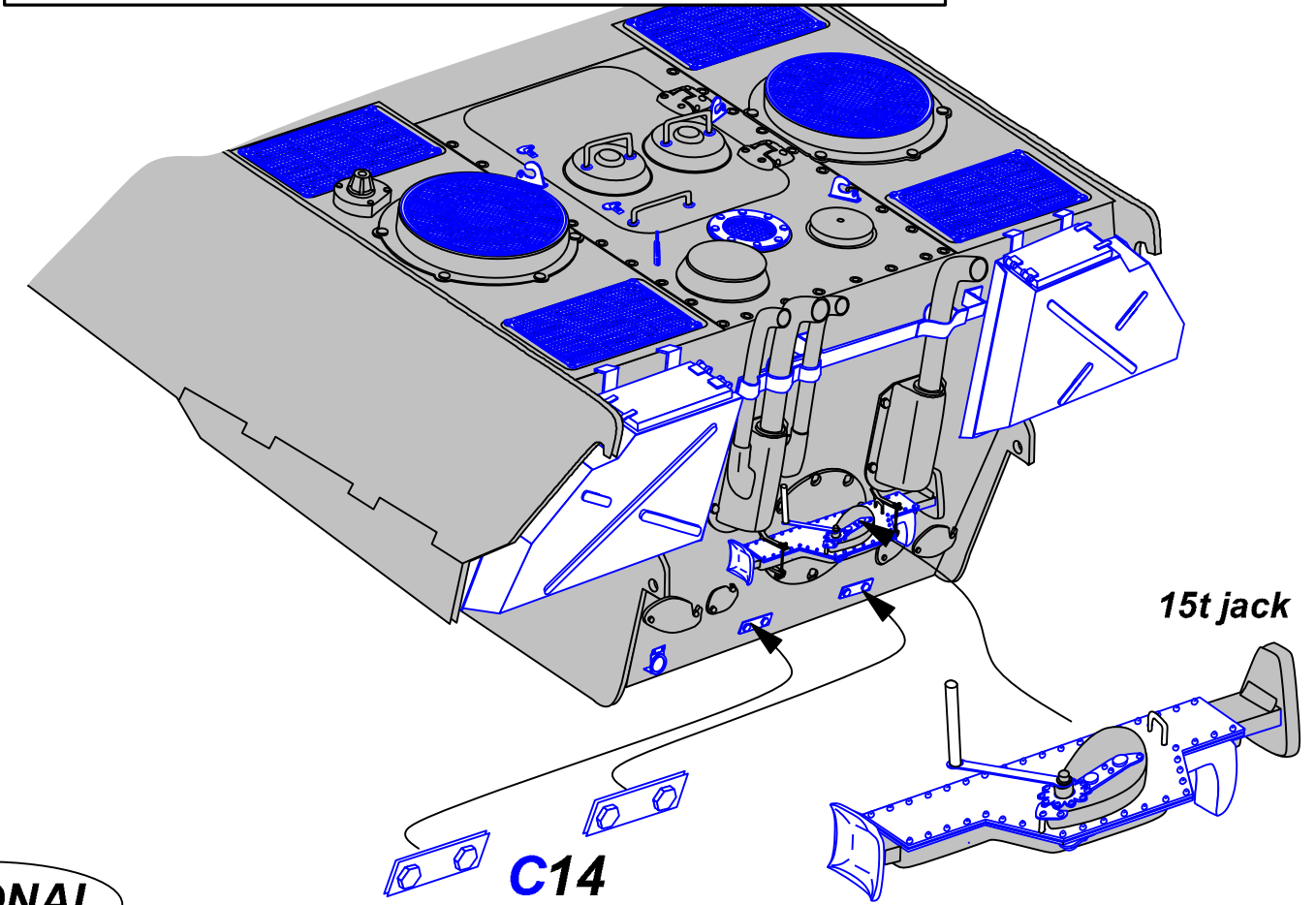
Panther version Ausf. D Early



Panther version Ausf. D Late

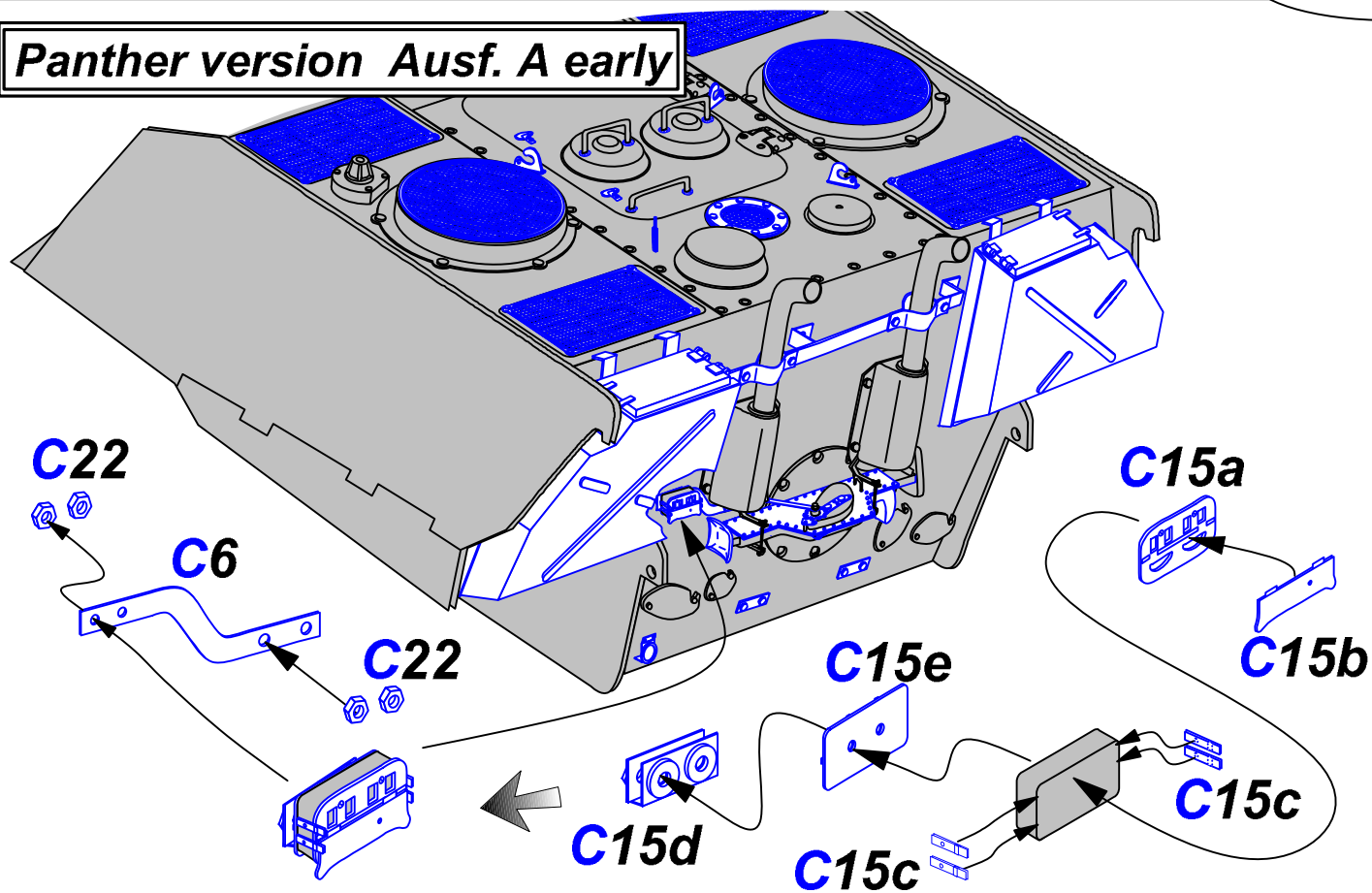


Panther version Ausf. A early Late model

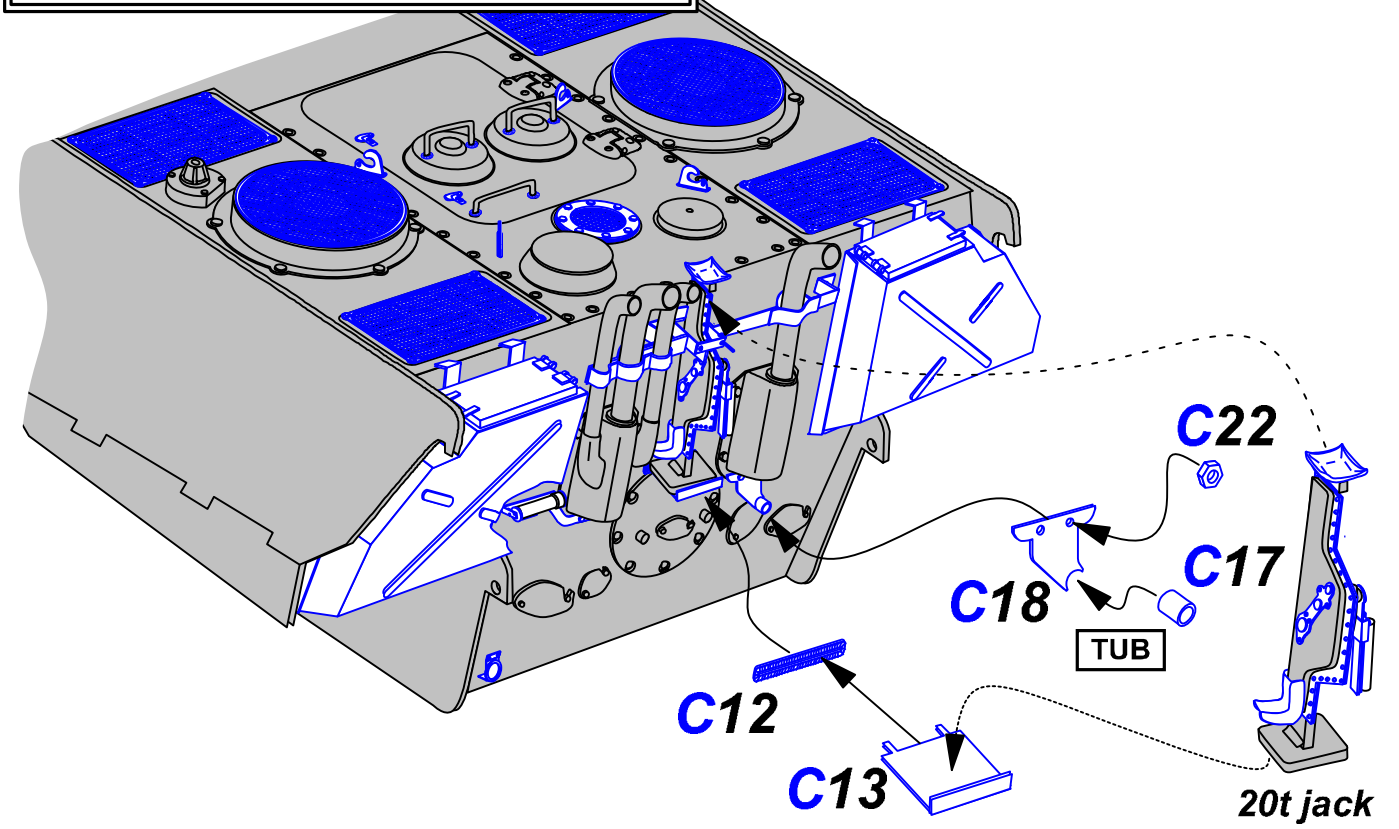


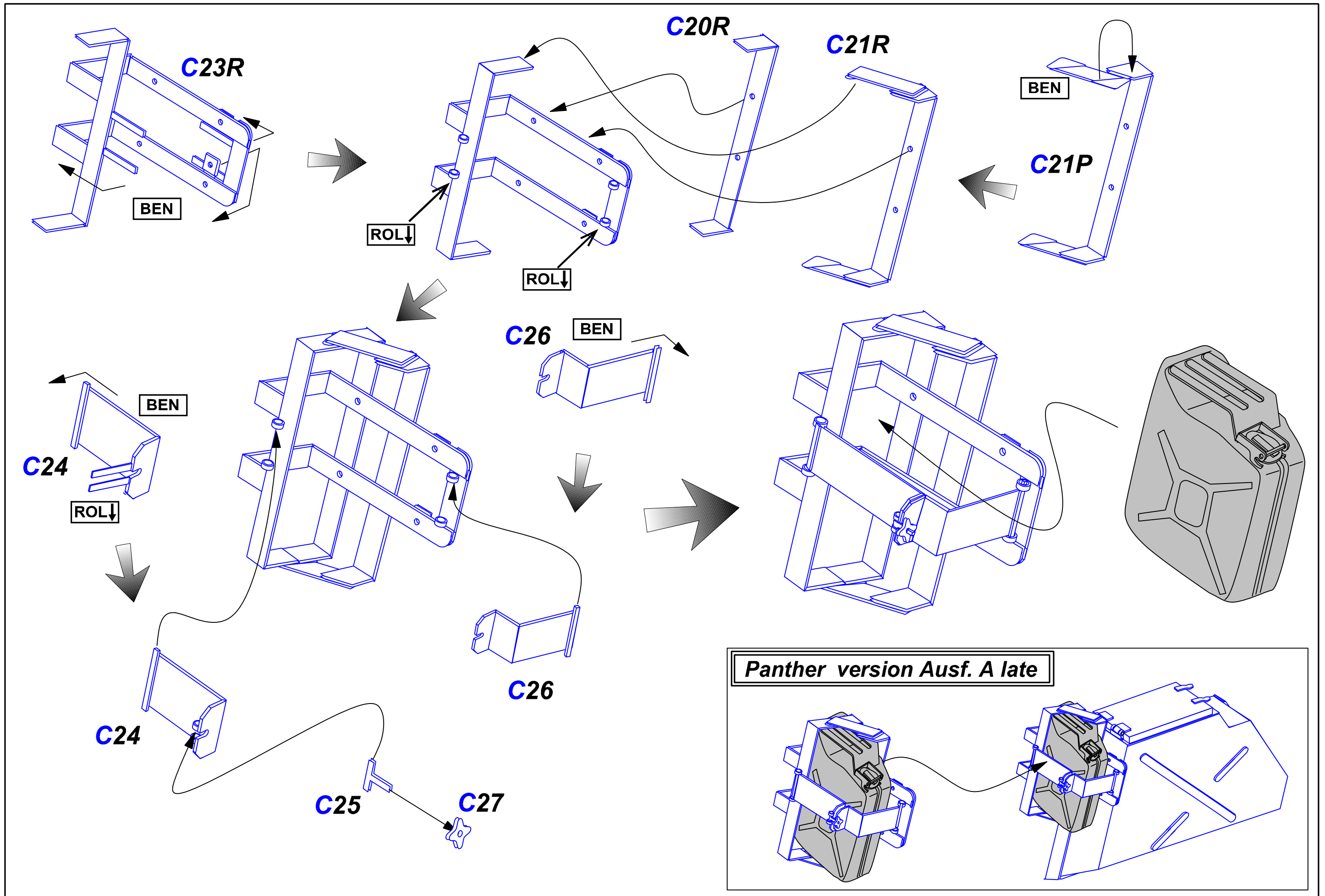
OPTIONAL

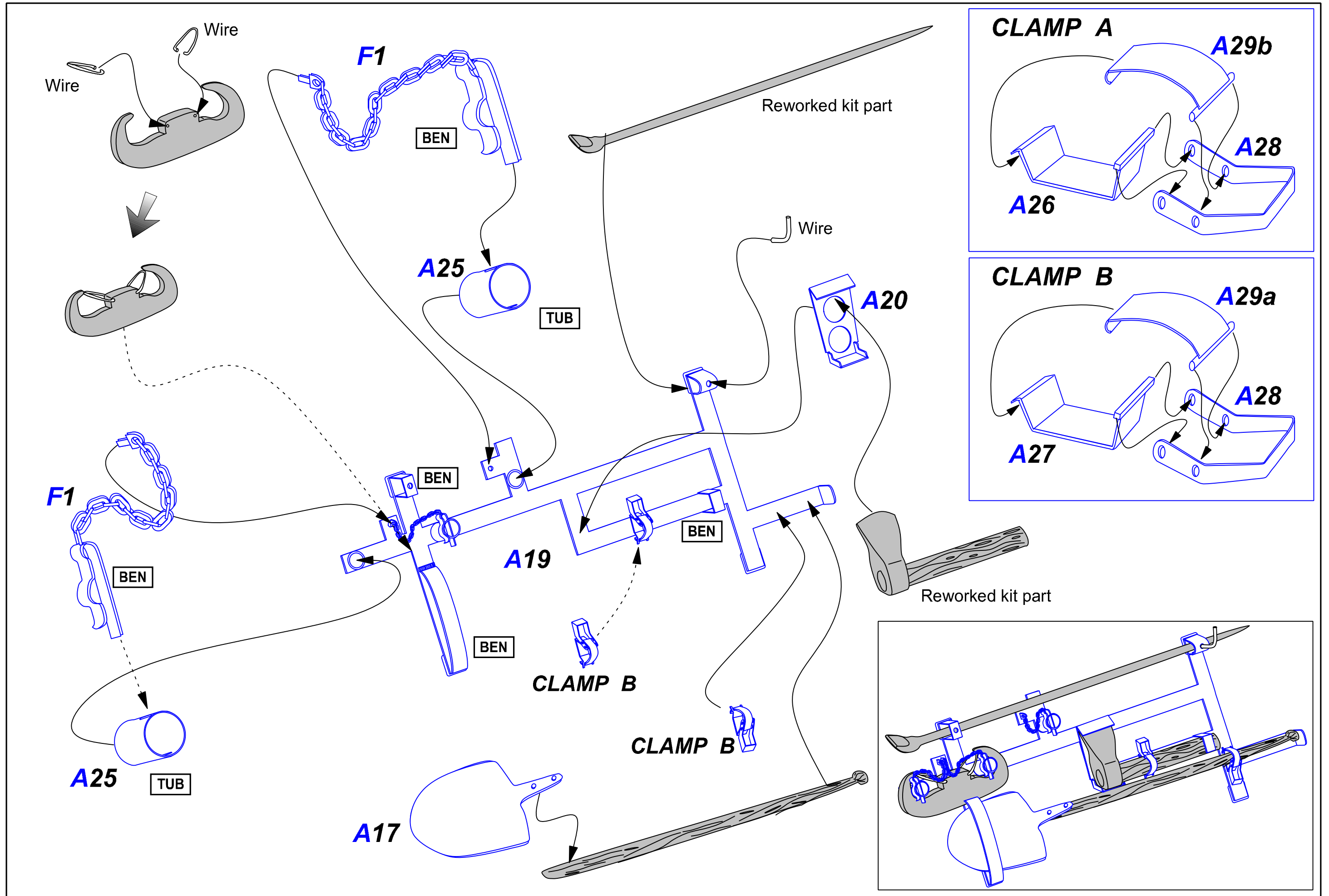
Panther version Ausf. A early

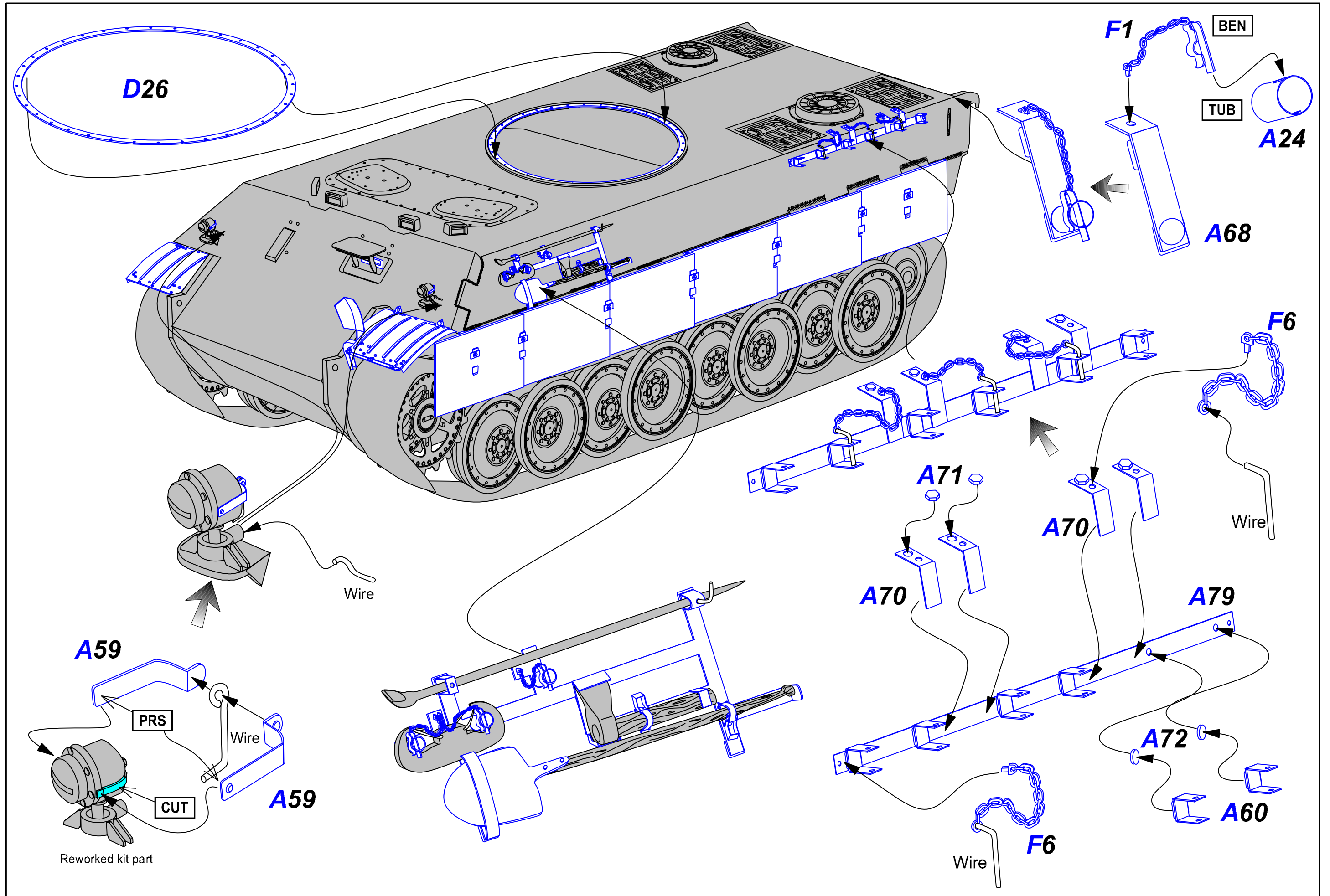


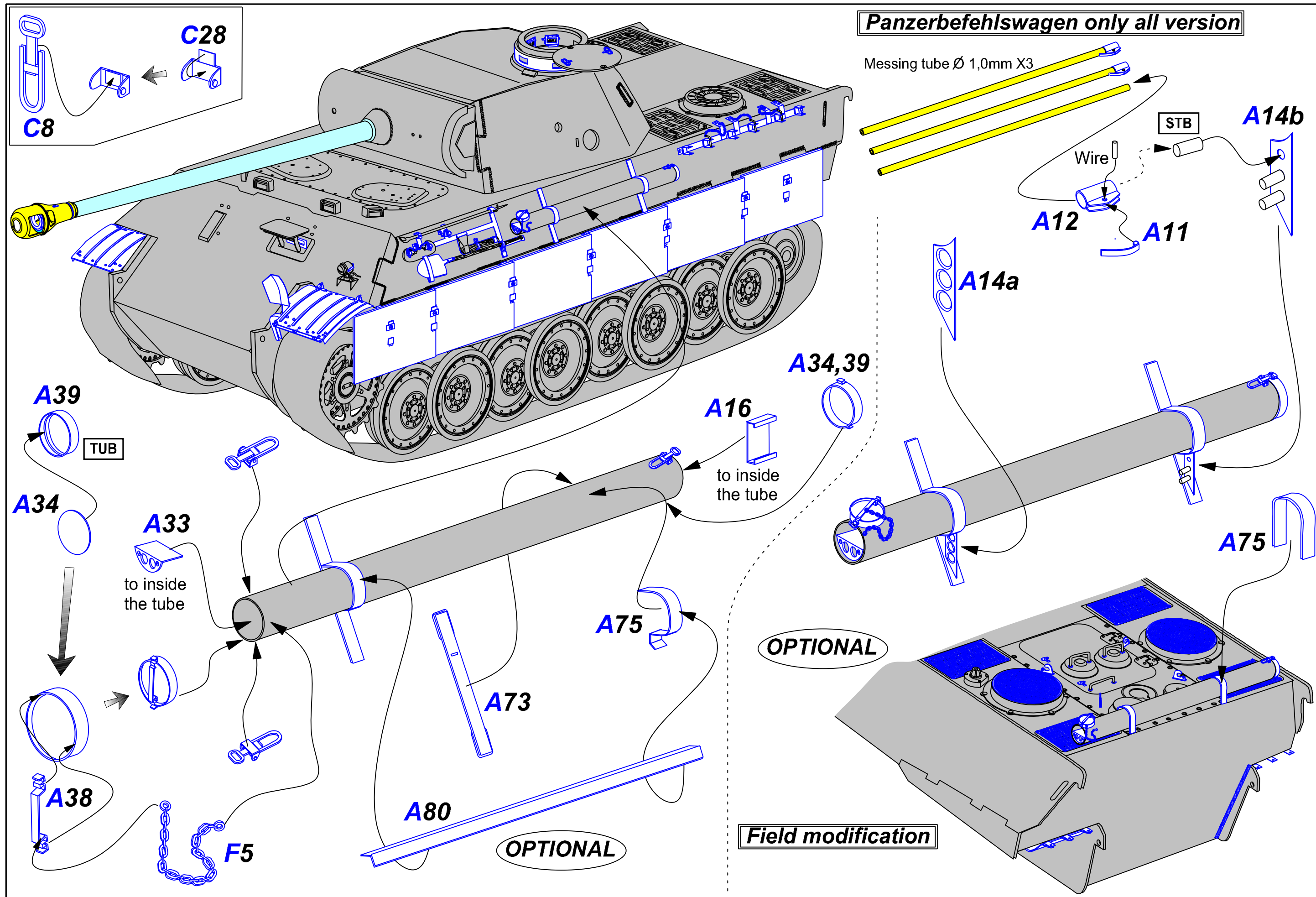
Panther version Ausf. A Late



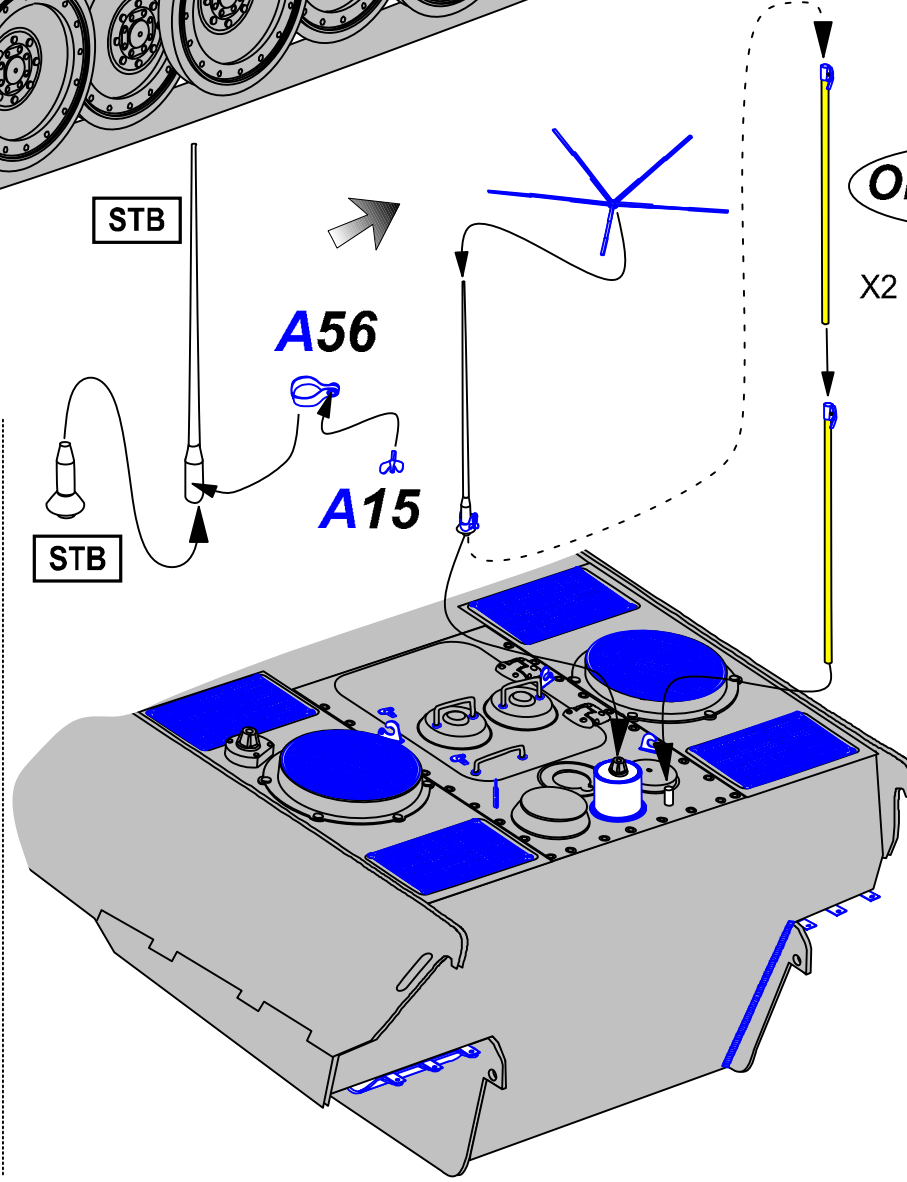
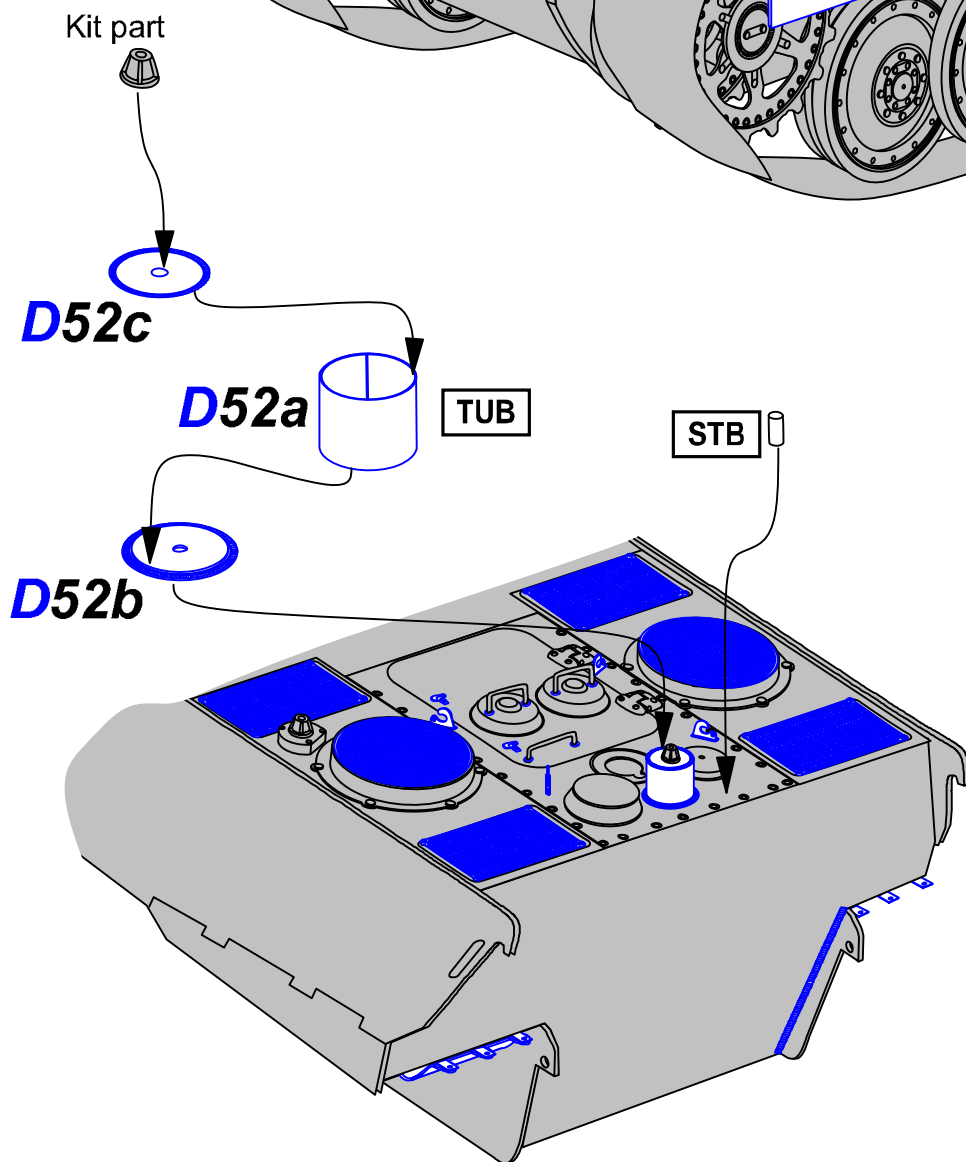
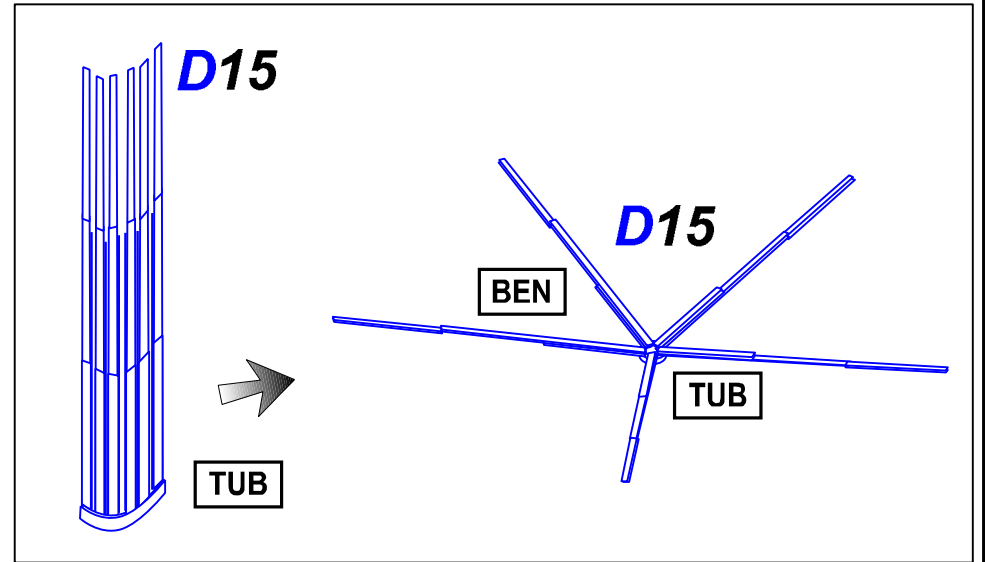
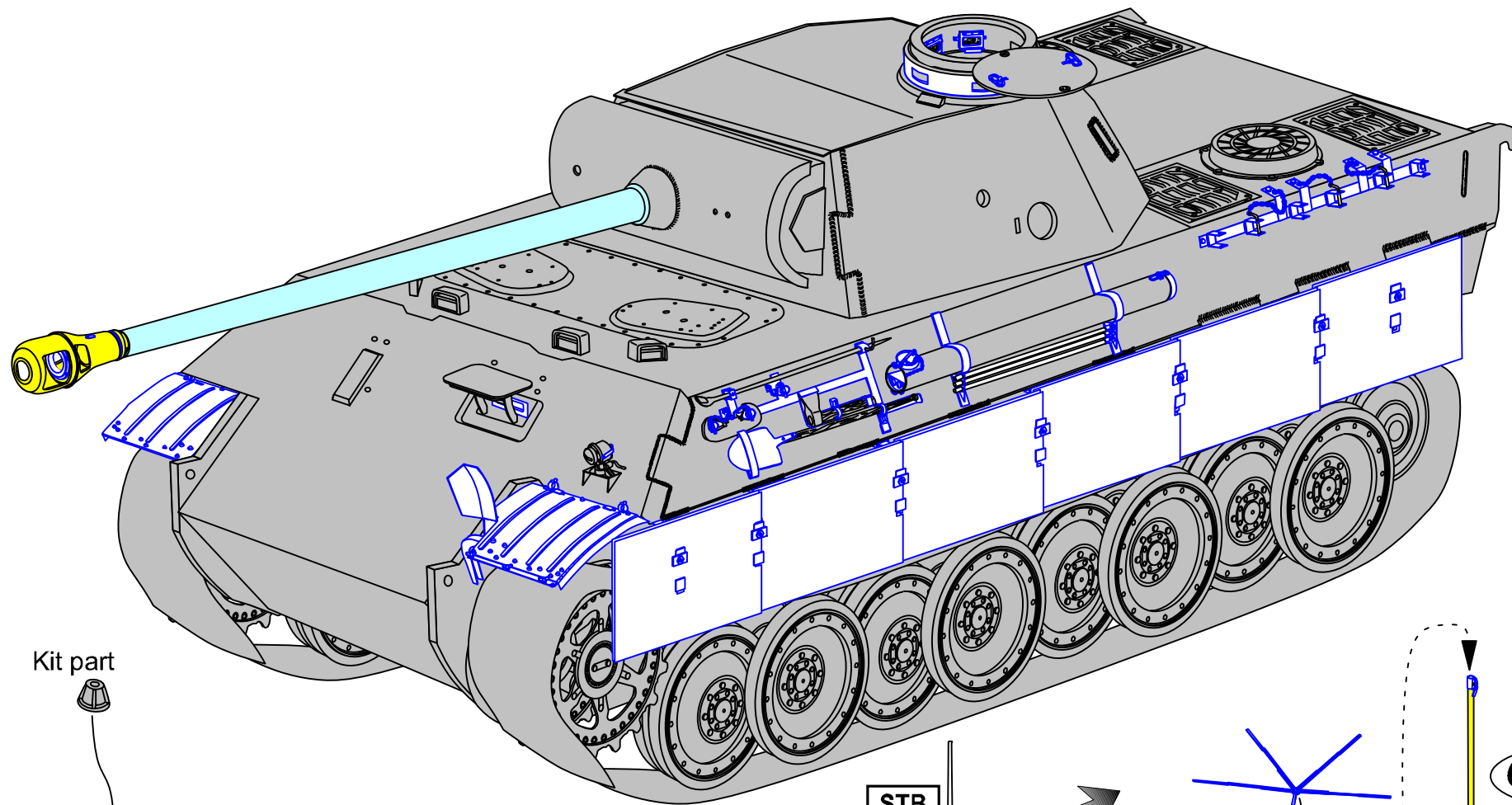






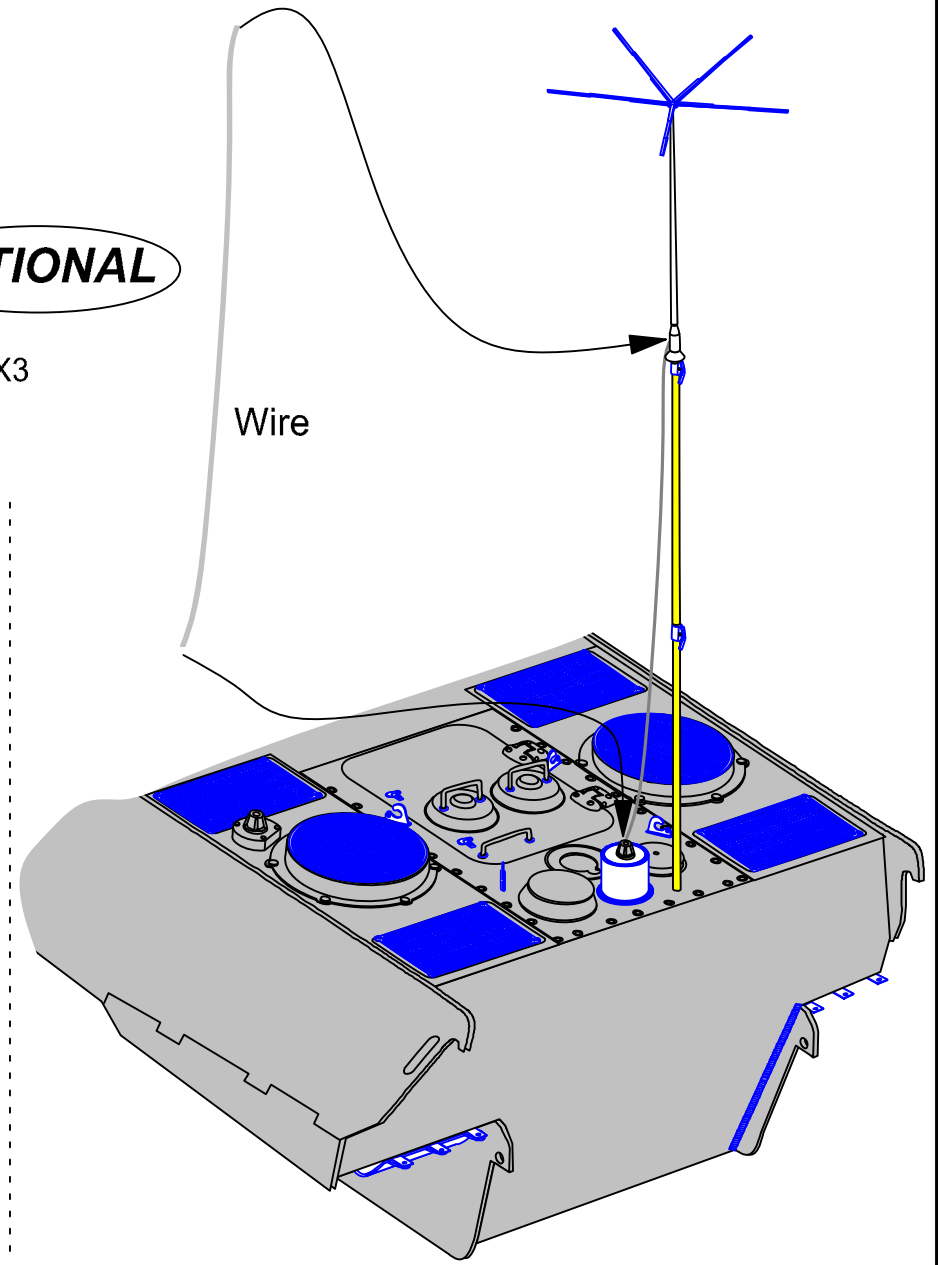


Panzerbefehlswagen only all version

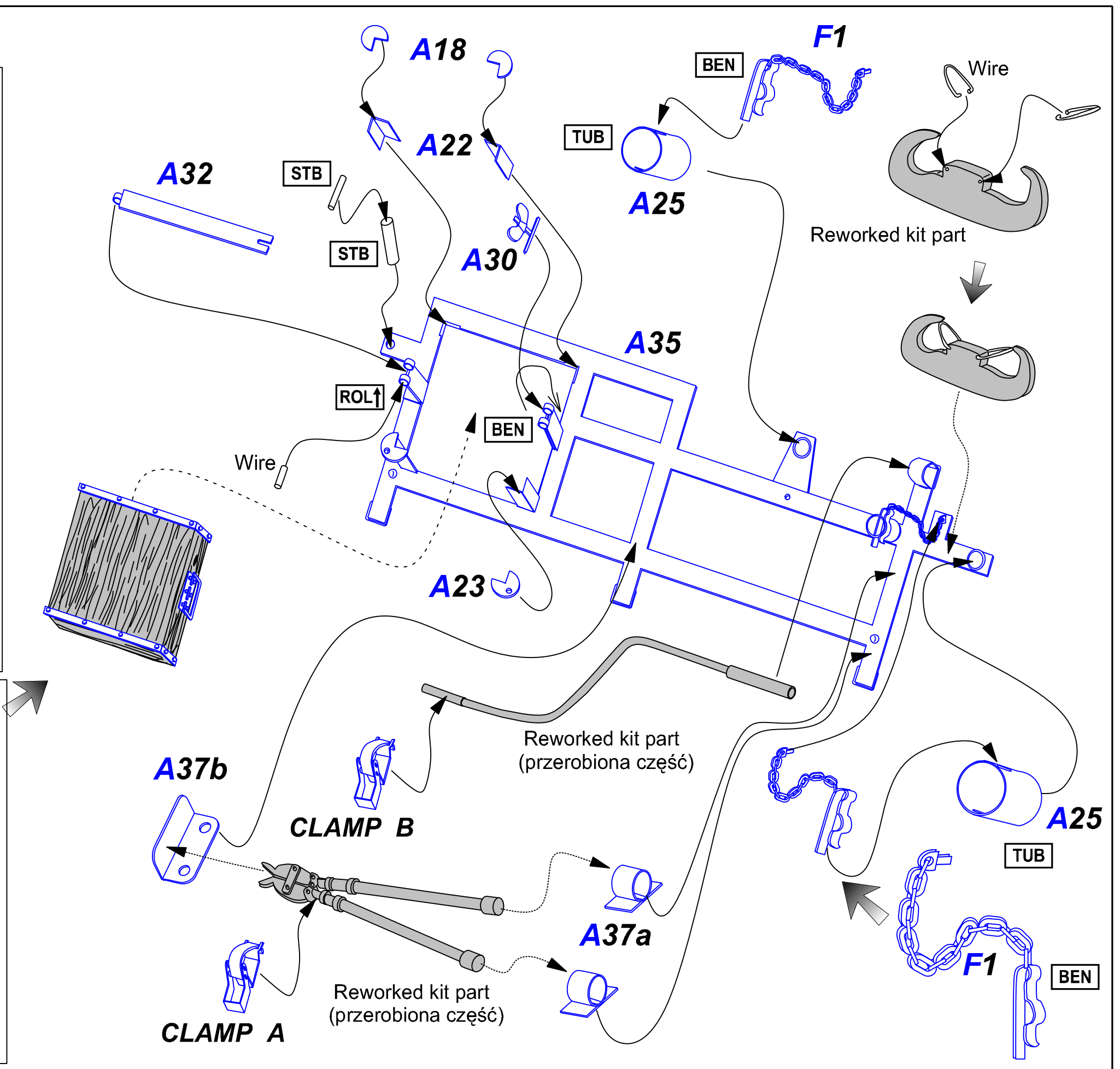
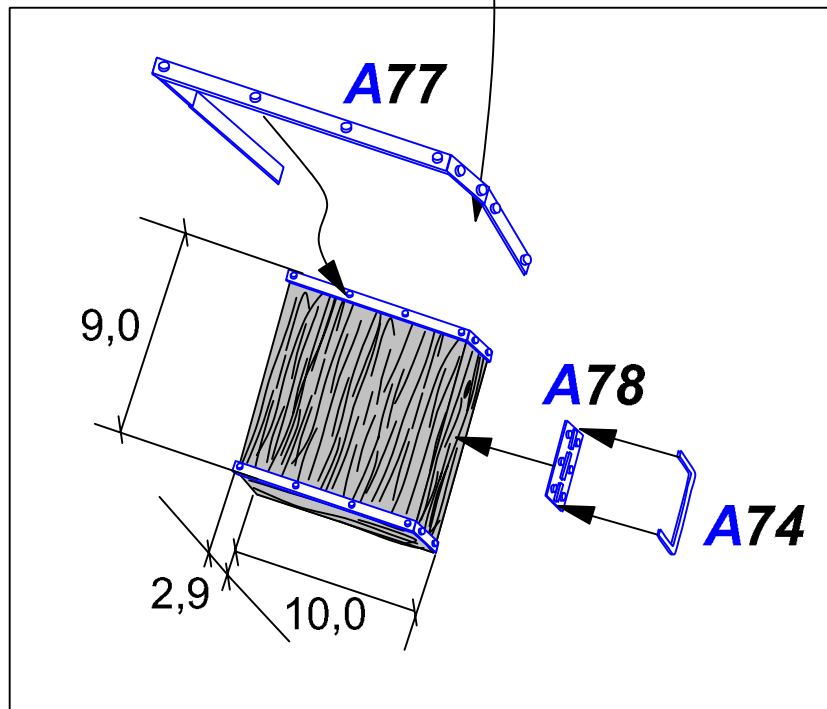
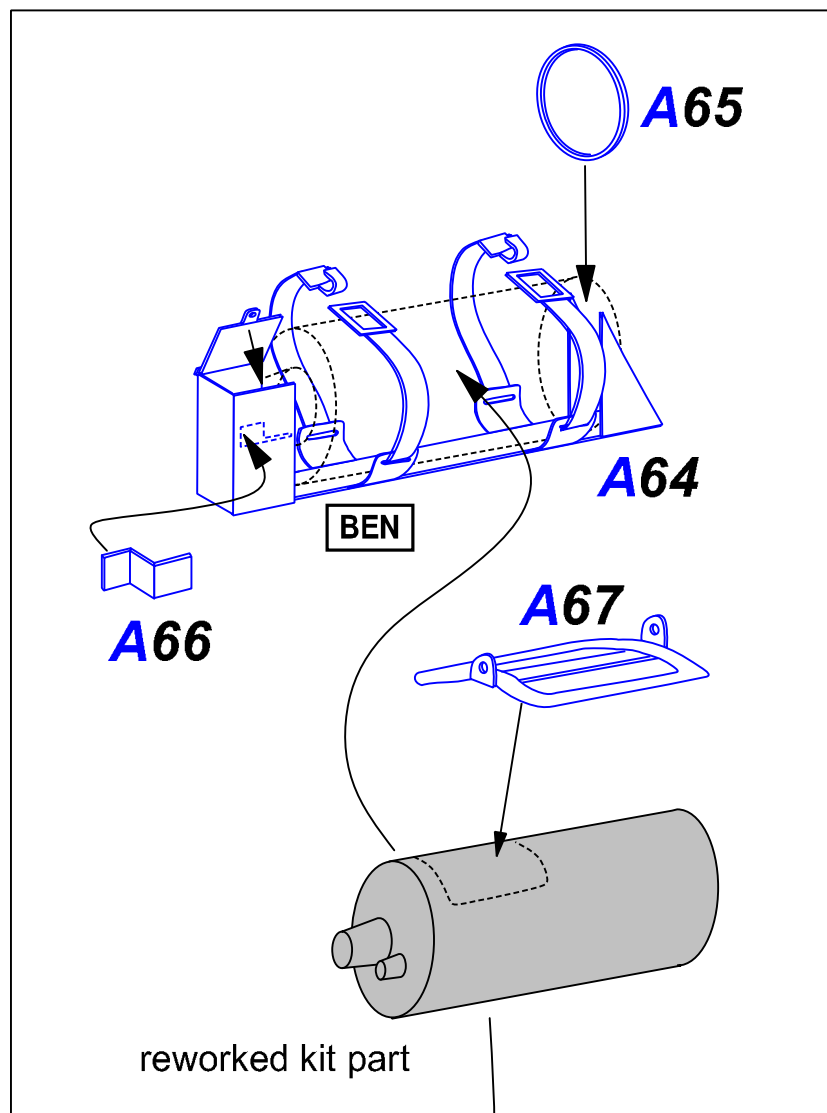


OPTIONAL

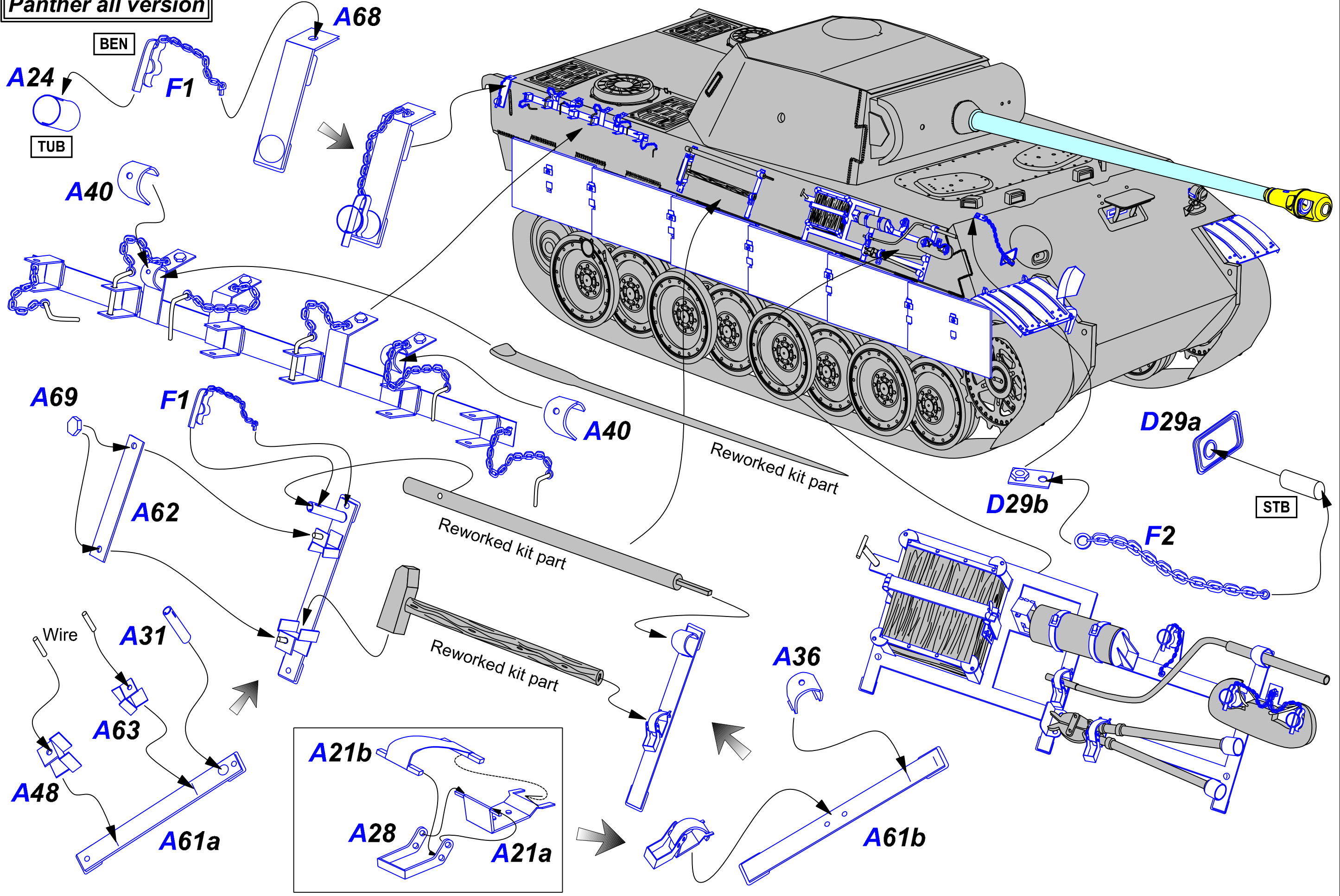
X2 or X3



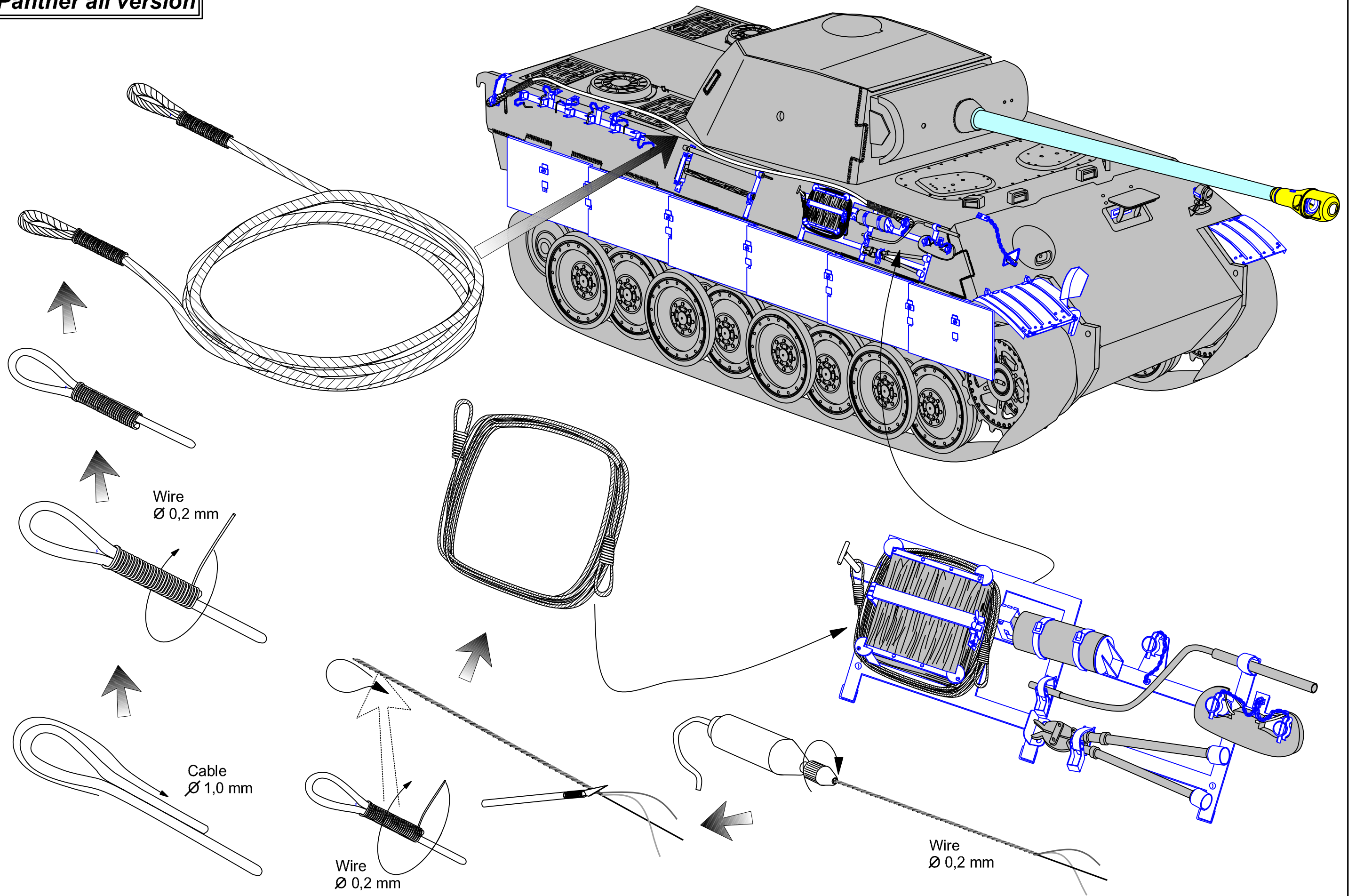
Panther all version



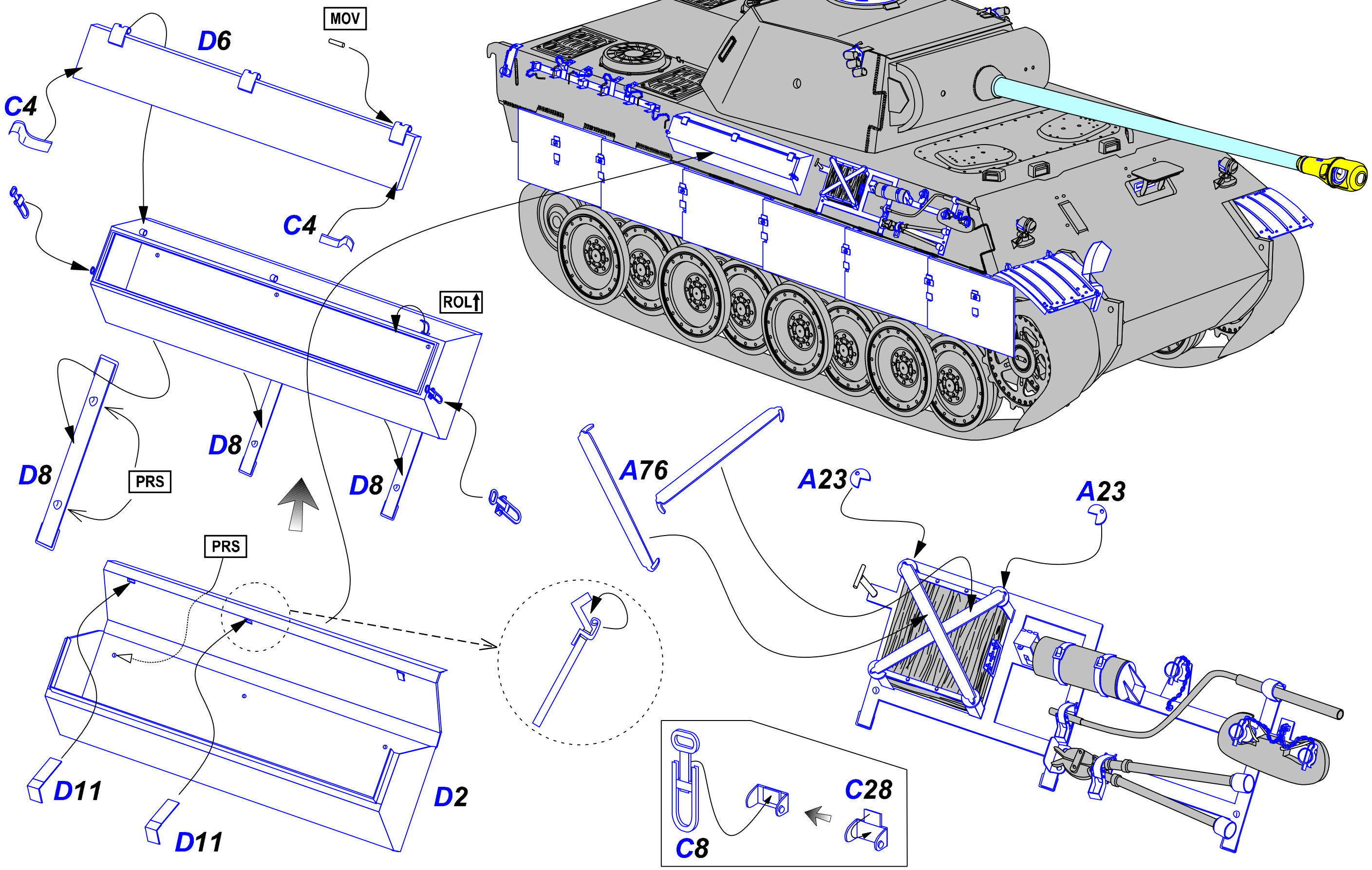
Panther all version

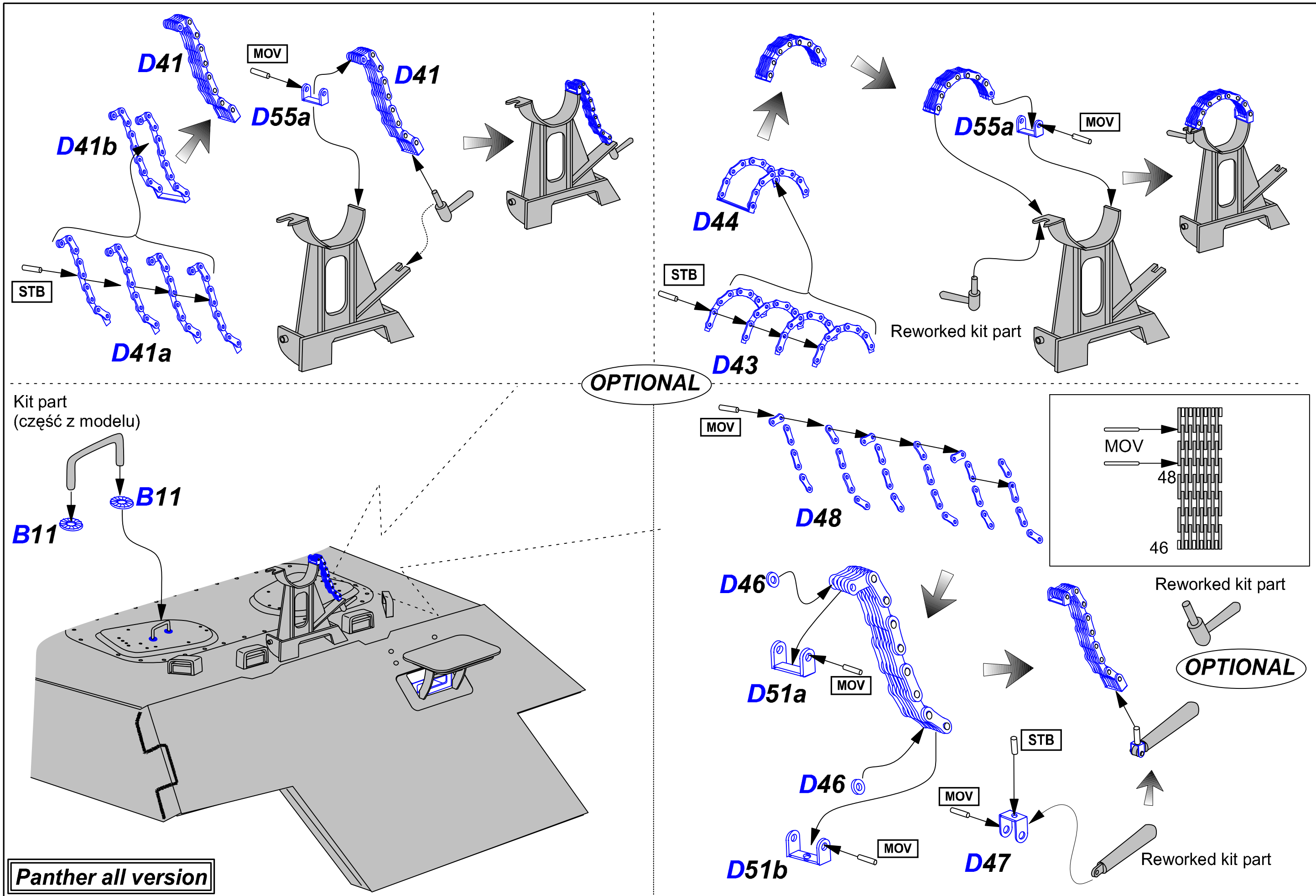


Panther all version

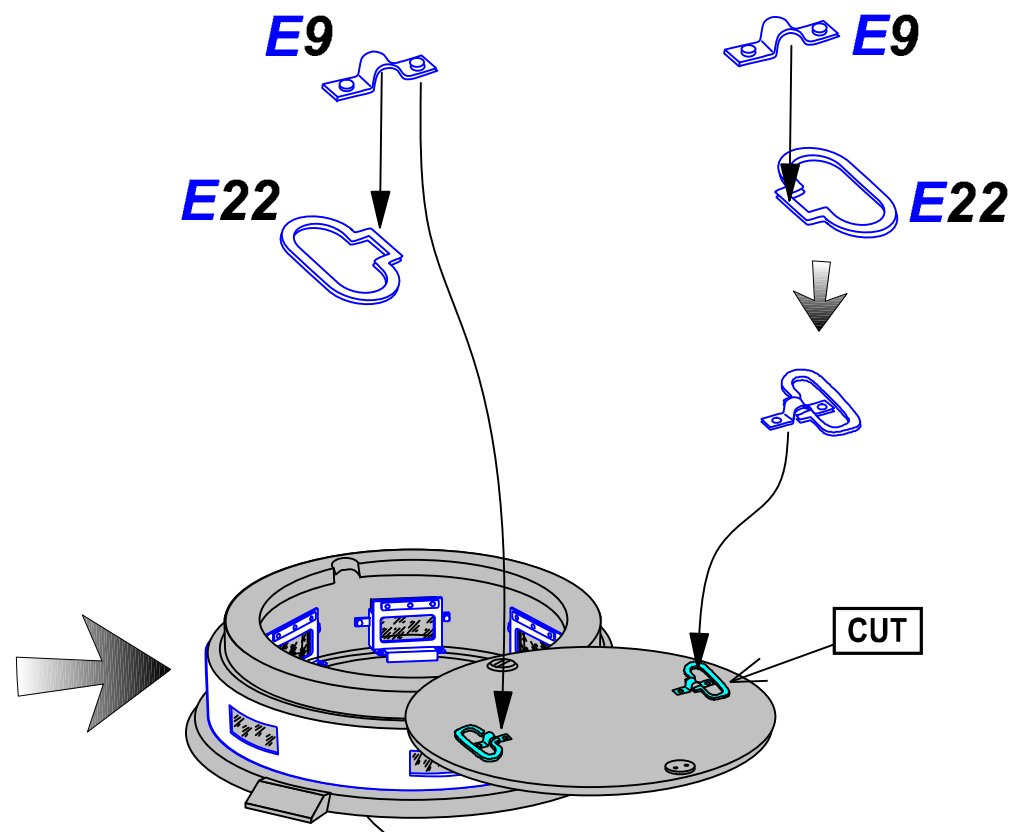
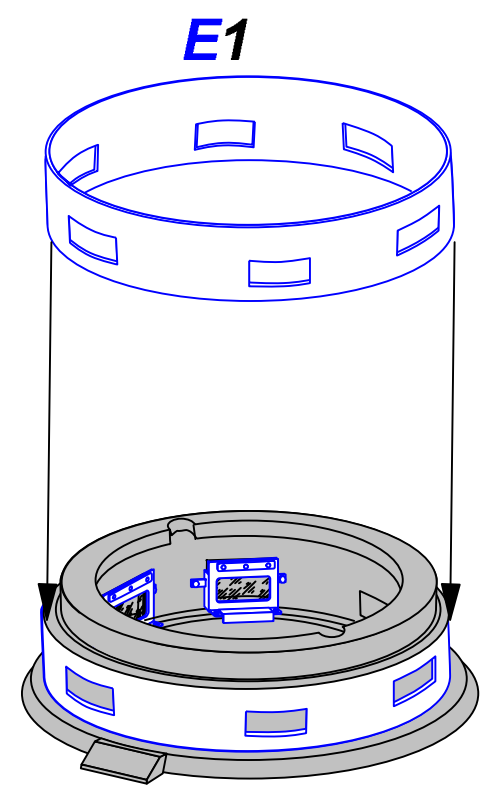
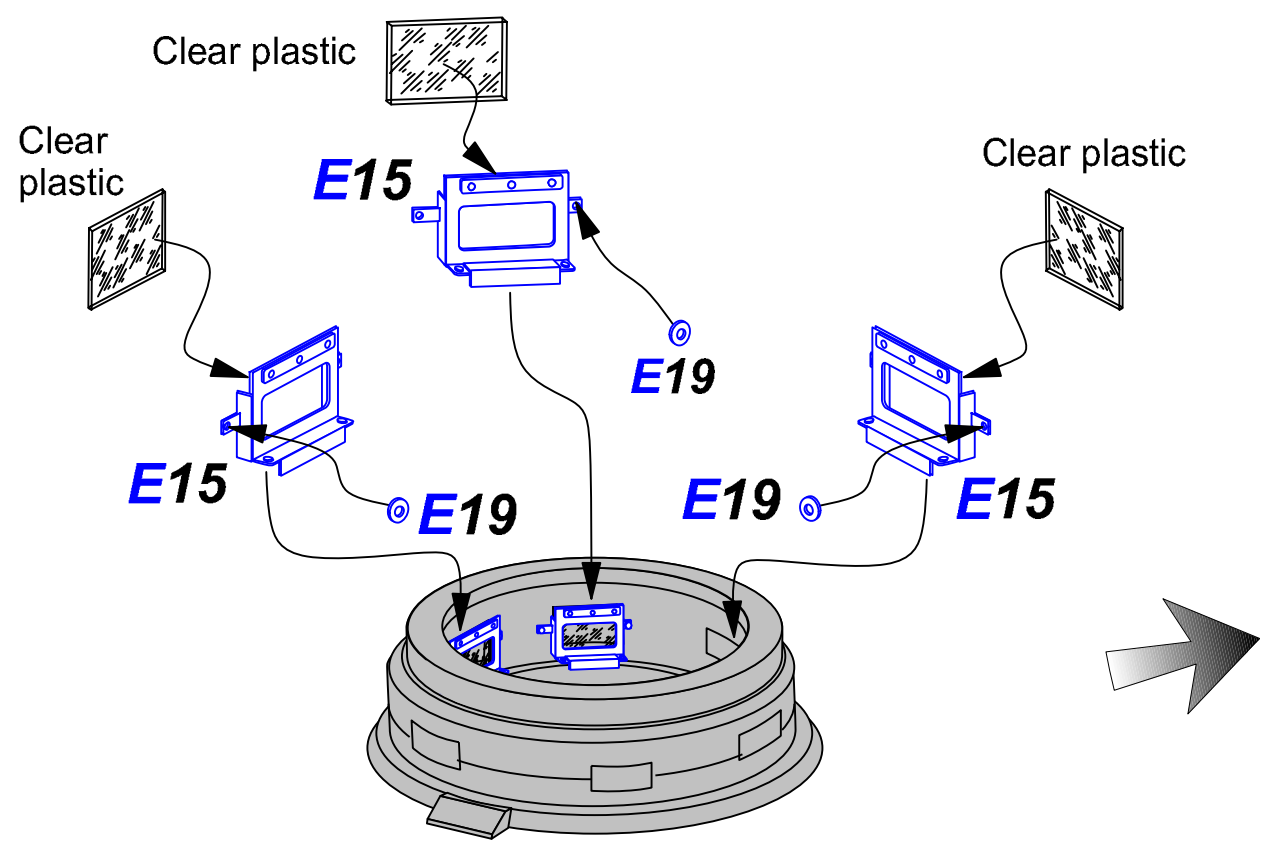


Panther D version early

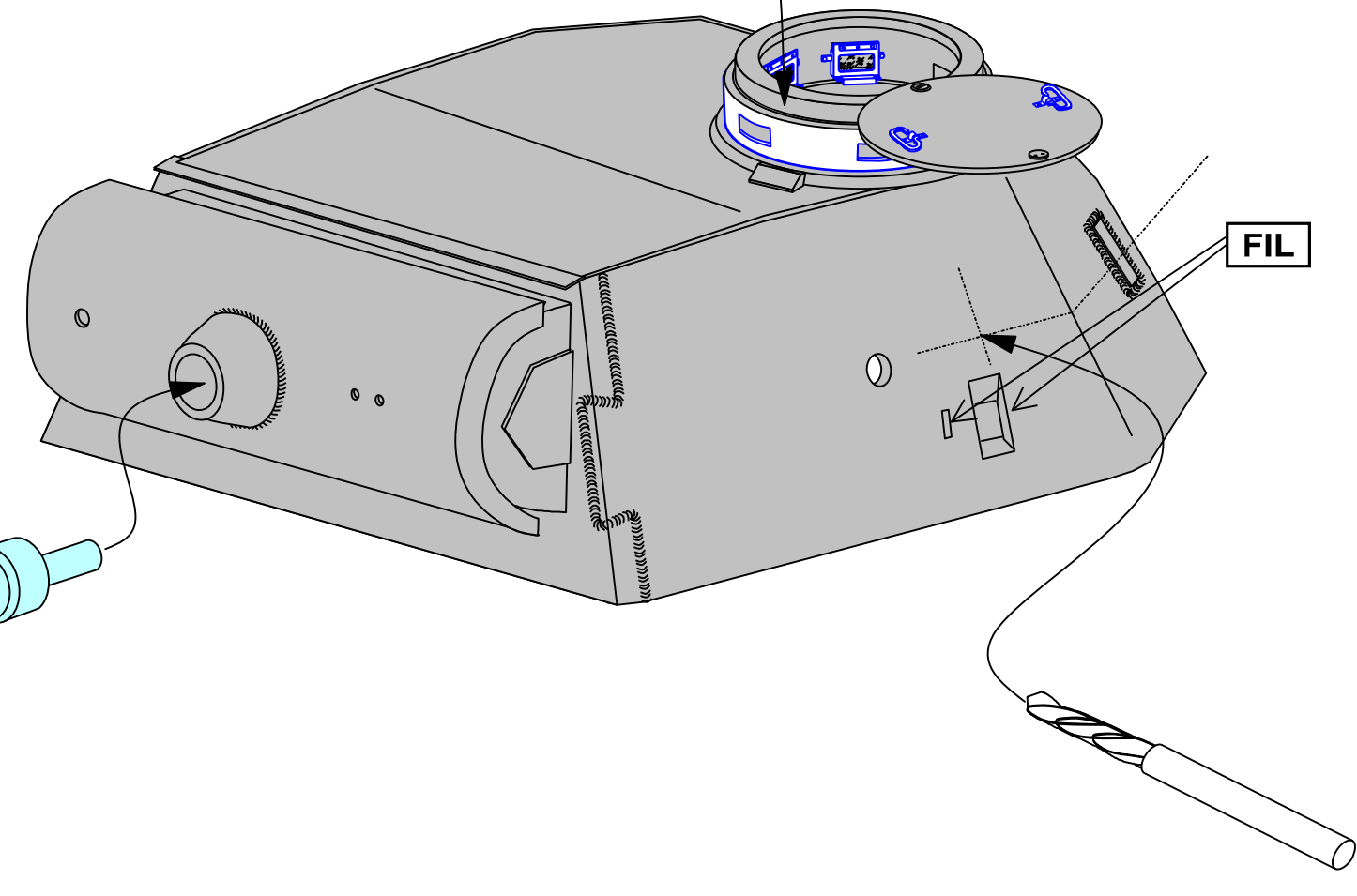
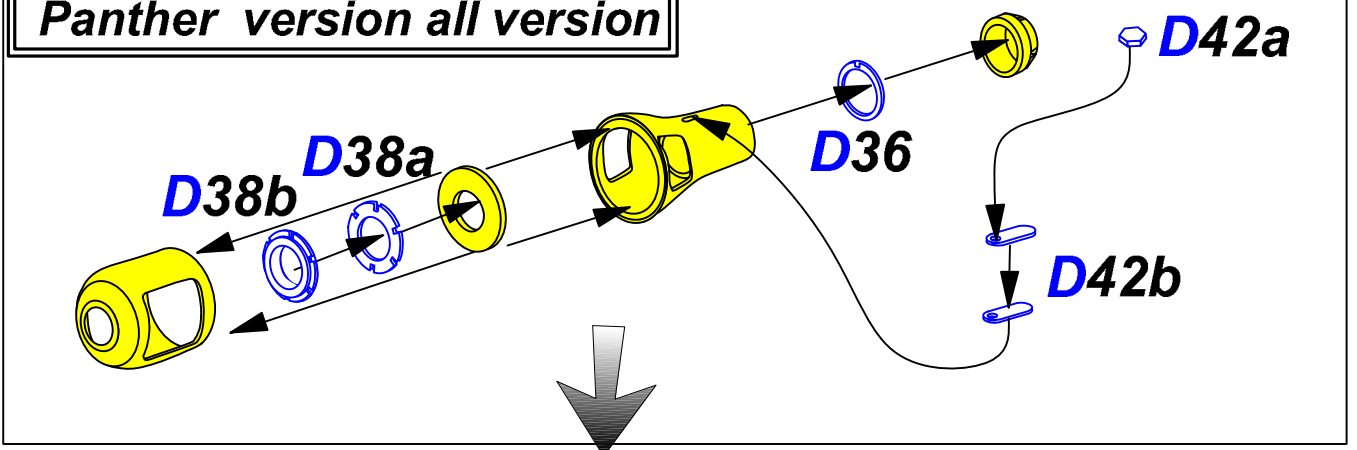




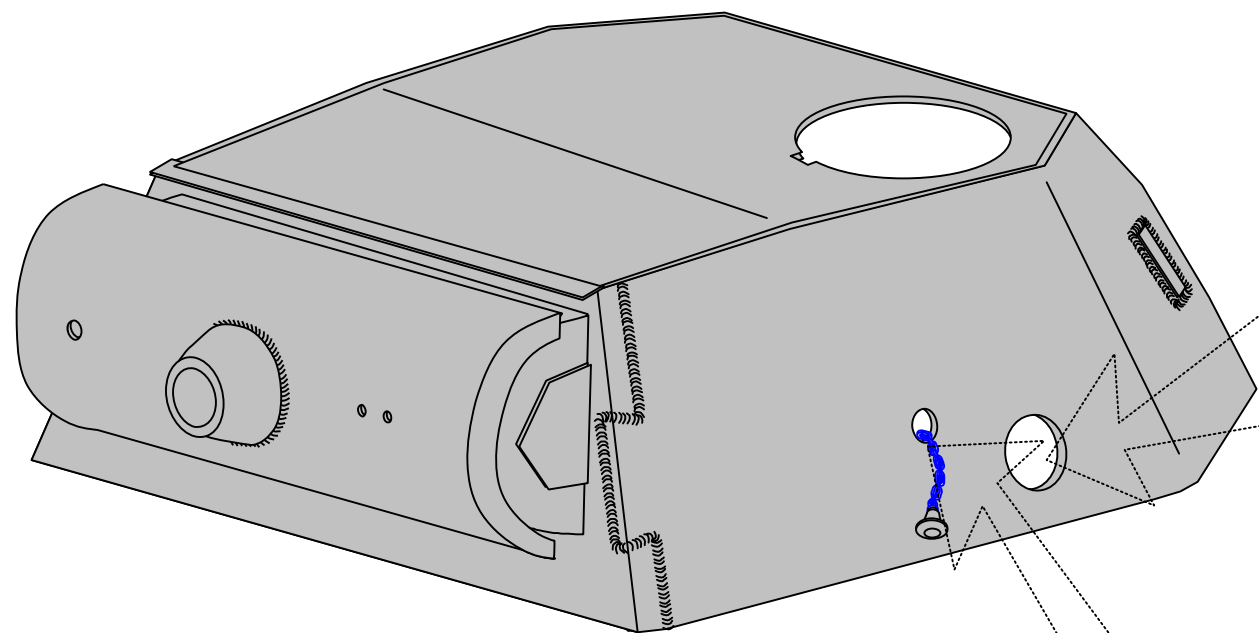
Panther version Ausf. D



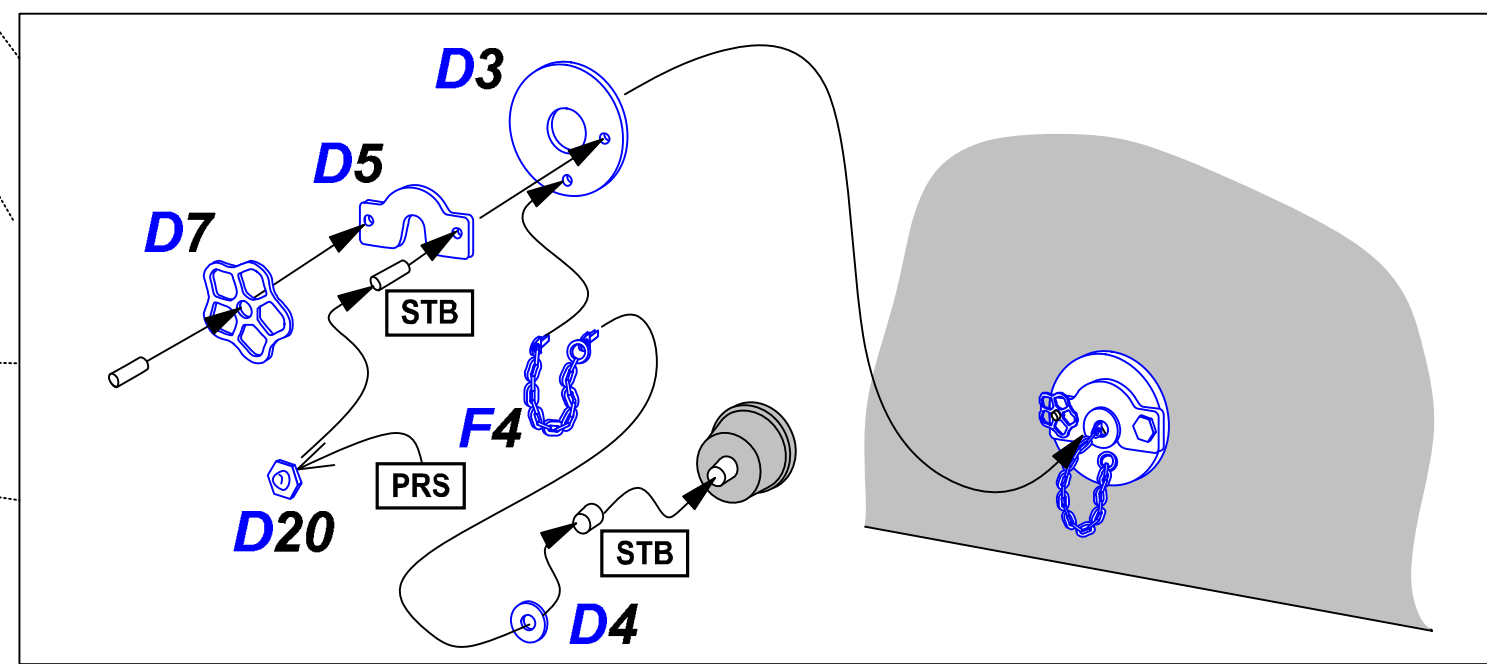
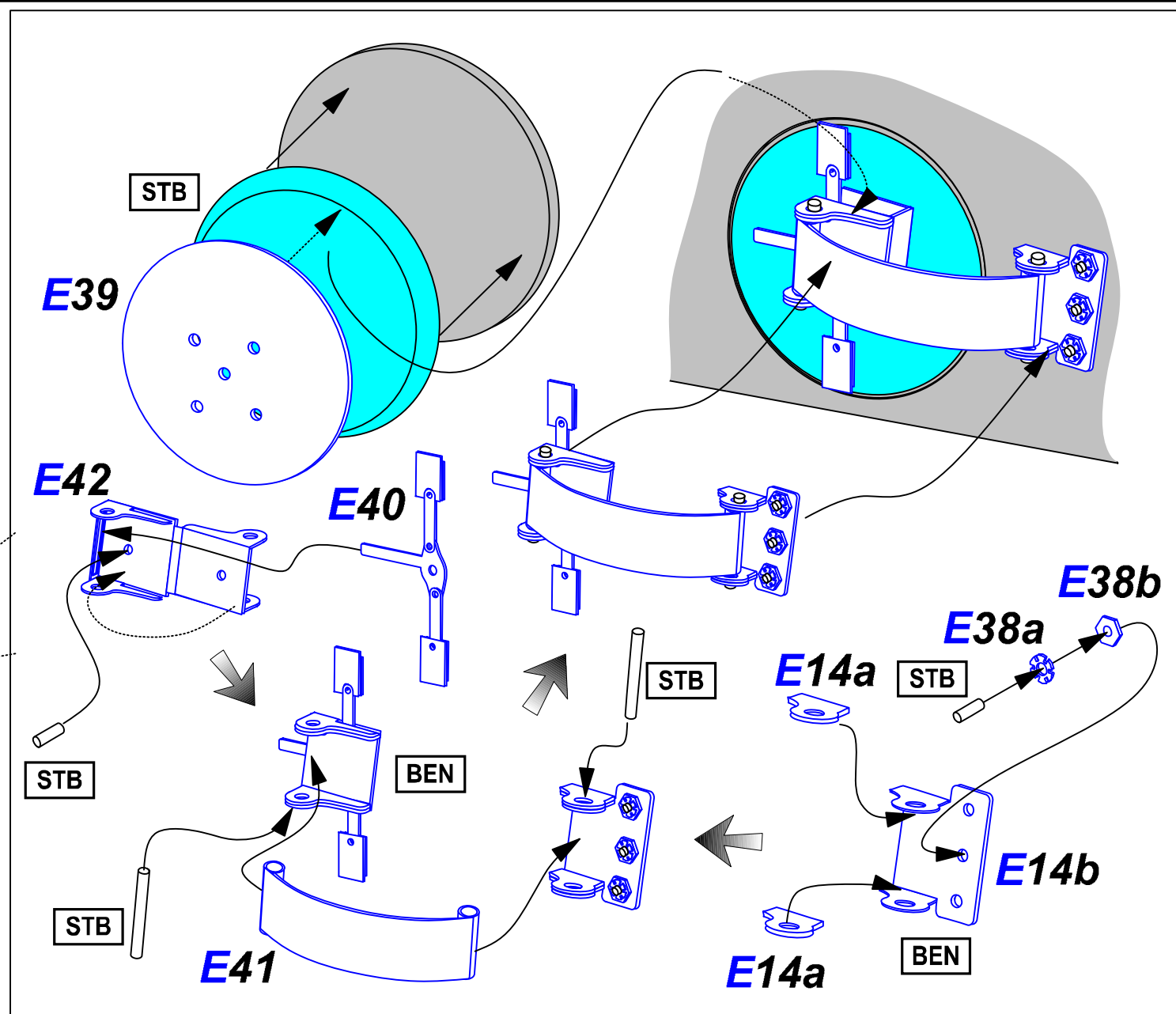
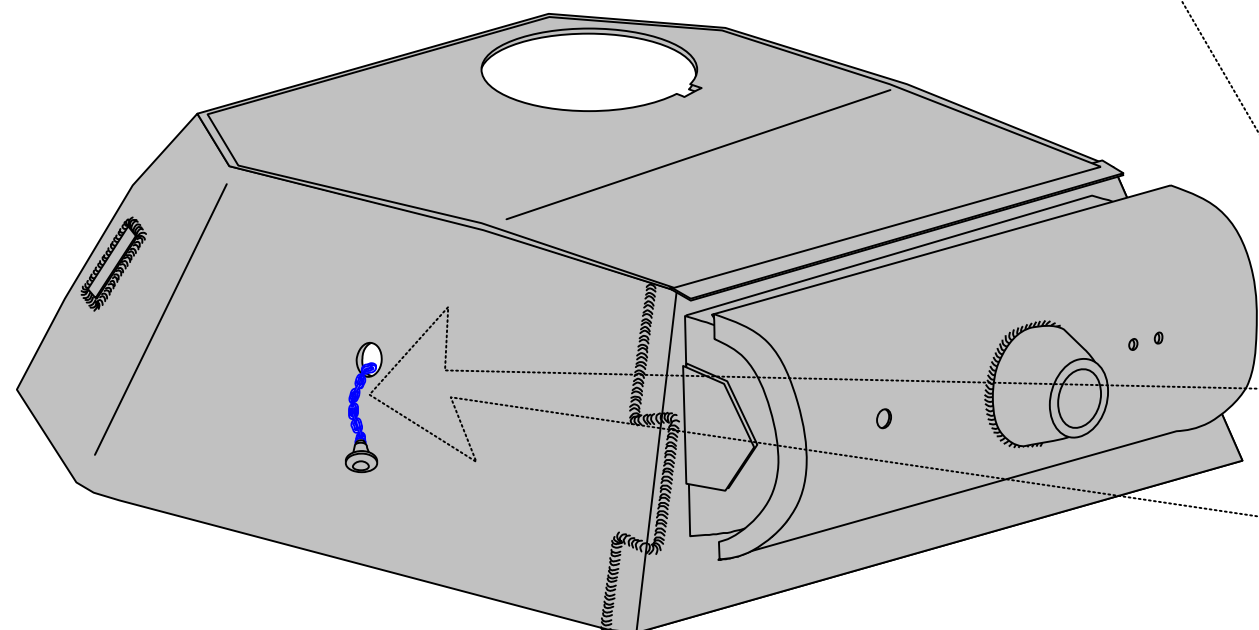
Panther version all version



Panther version Ausf. D

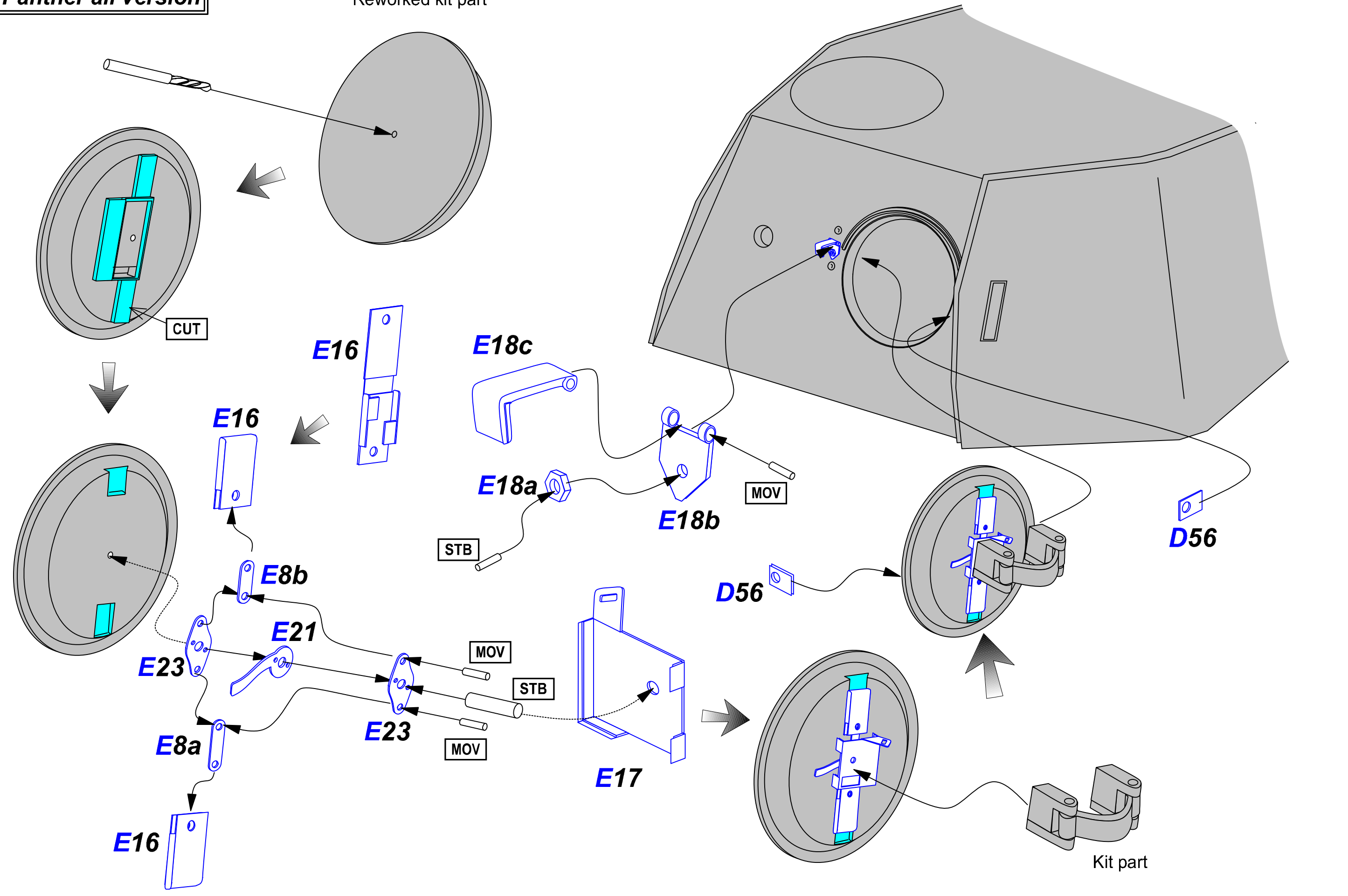


Panther all version



Panther all version

Reworked kit part



Panther D version early

