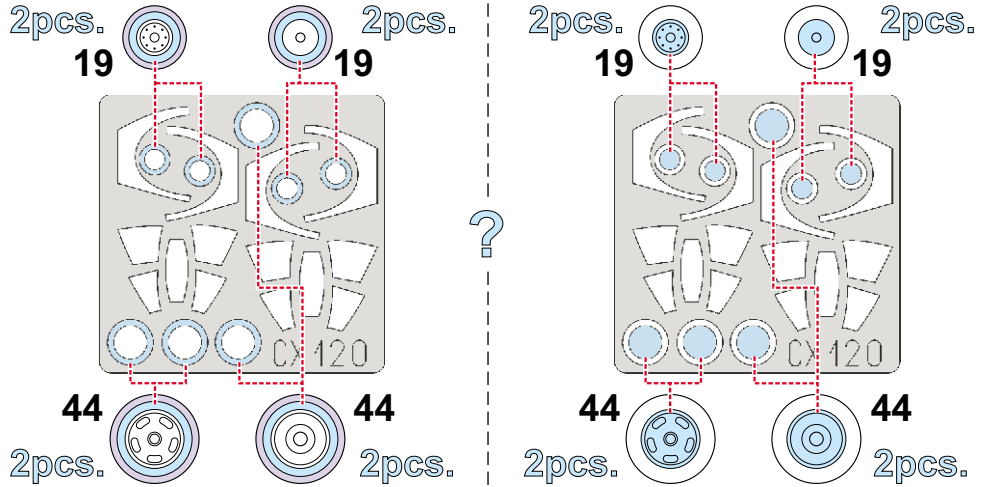
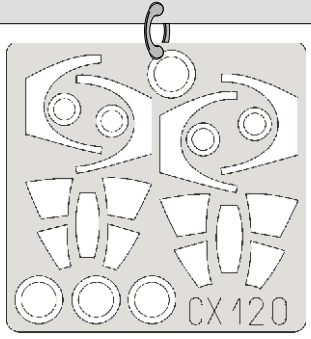


eduard
MASK

A-7D/E Corsair II 1/72

The die-cut mask for accurate canopy frame painting of the
Fujimi scale 1/72 KIT

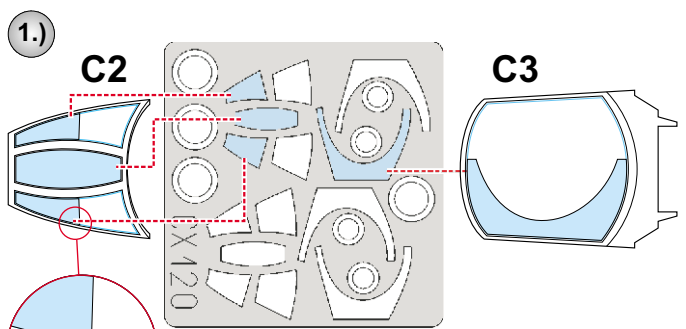
CX 120



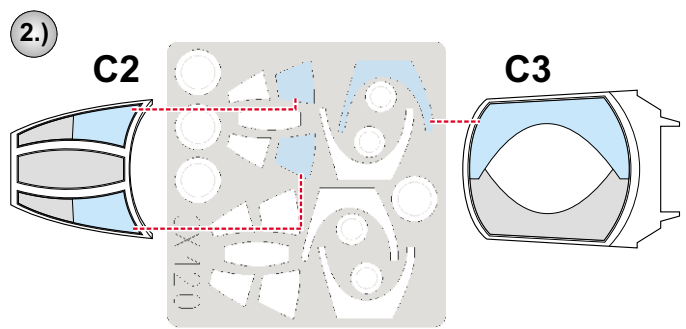
REFERENCES:

Squadron/Signal Publ.: in action A-7 Corsair II

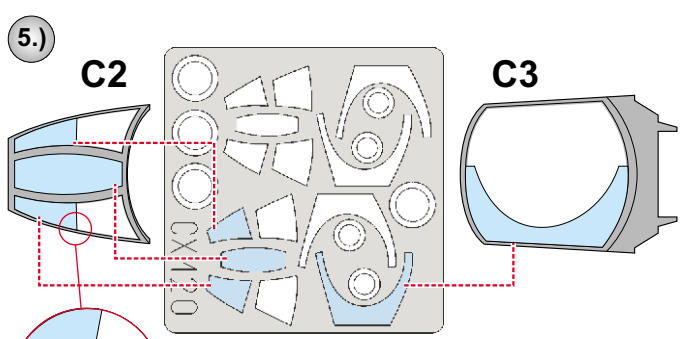
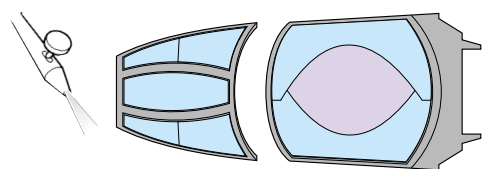
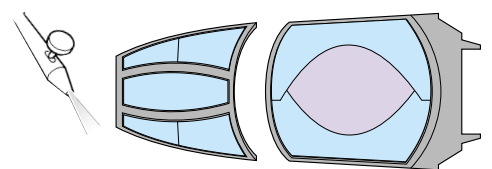
 - LIQUID MASK



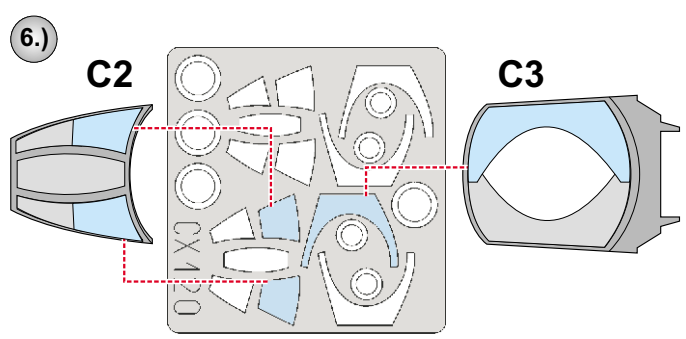
3.) INTERIOR COLOR



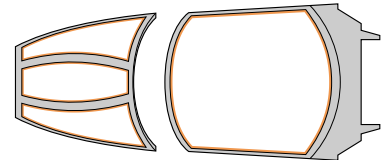
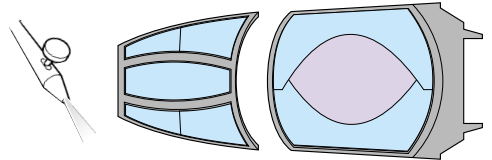
4.) RUBBER COLOR



7.) CAMOUFLAGE COLOR



8.) REMOVE MASK



 - LIQUID MASK